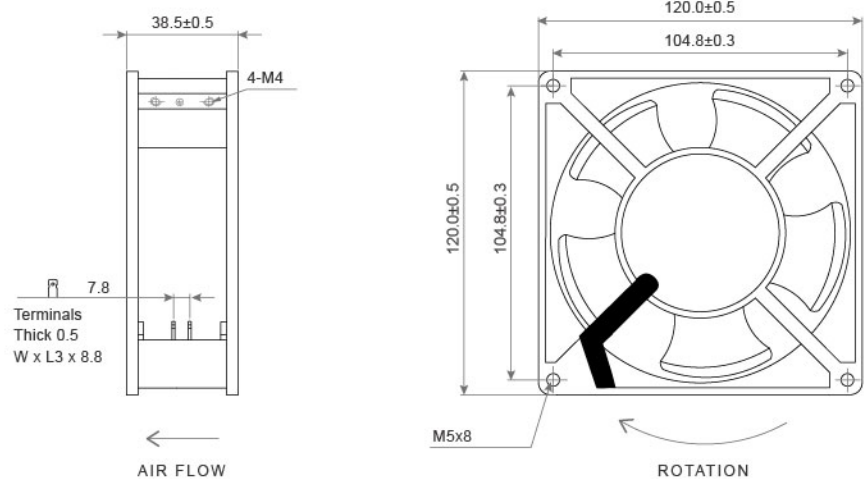
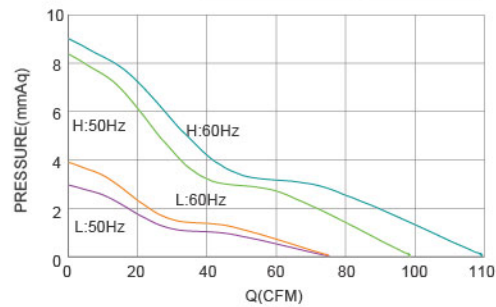


DIMENSIONS DRAWING UNIT : mm



- Frame : Aluminum
外框材質：鋁框
- Impeller : Thermoplastic PBT UL 94-V0
扇葉材質：環保防火PBT
- Ingress Protection : Optional IP55
防護等級：可選擇 IP55
- Weight : 480g
風扇單體重量：480克

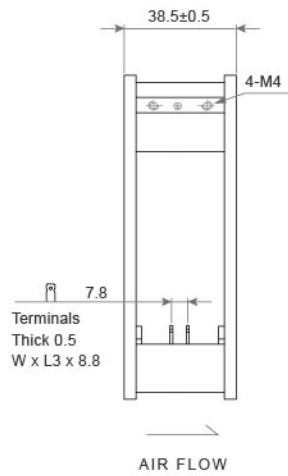
P&Q Curve At Rated Voltage



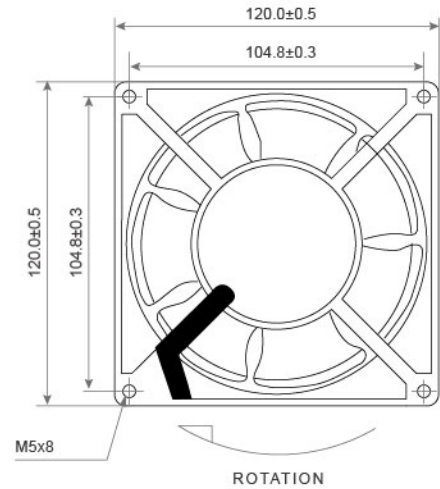
Model No.	Bearing Type	Voltage (VAC)	Frequency (Hz)	Current (A)	Power (W)	Speed (RPM)	Air Flow (CFM)	Air Flow (m ³ /min)	Air Pressure (mmH ₂ O)	Air Pressure (Inch H ₂ O)	Noise (dBA)
SA12038B1Hx	◎	115	50 / 60	0.26 / 0.22	20.0 / 17.0	2650 / 3050	95 / 110	2.69 / 3.11	8.6 / 9.2	0.33 / 0.36	42 / 45
SA12038B1Mx	◎	115	50 / 60	0.14 / 0.13	11.0 / 10.0	2450 / 2300	85 / 85	2.41 / 2.41	6.0 / 3.7	0.24 / 0.15	40 / 39
SA12038B1Lx	◎	115	50 / 60	0.16 / 0.14	10.0 / 9.0	2200 / 2000	75 / 75	2.12 / 2.12	3.9 / 3.1	0.15 / 0.12	38 / 35
SA12038S1Hx	※	115	50 / 60	0.26 / 0.22	20.0 / 17.0	2650 / 3050	95 / 110	2.69 / 3.11	8.6 / 9.2	0.33 / 0.36	42 / 45
SA12038S1Mx	※	115	50 / 60	0.15 / 0.14	12.0 / 11.0	2450 / 2300	85 / 85	2.41 / 2.41	6.0 / 3.7	0.24 / 0.15	40 / 39
SA12038S1Lx	※	115	50 / 60	0.14 / 0.13	11.0 / 10.0	2200 / 2000	75 / 75	2.12 / 2.12	3.9 / 3.1	0.15 / 0.12	38 / 35
SA12038B2Hx	◎	220-240	50 / 60	0.13 / 0.11	18.0 / 16.0	2650 / 3050	95 / 110	2.69 / 3.11	8.6 / 9.2	0.33 / 0.36	42 / 45
SA12038B2Mx	◎	220-240	50 / 60	0.09 / 0.08	15.0 / 14.0	2450 / 2300	85 / 85	2.41 / 2.41	6.0 / 3.7	0.24 / 0.15	40 / 39
SA12038B2Lx	◎	220-240	50 / 60	0.06 / 0.05	11.0 / 9.0	2200 / 2000	75 / 75	2.12 / 2.12	3.9 / 3.1	0.15 / 0.12	38 / 35
SA12038S2Hx	※	220-240	50 / 60	0.13 / 0.11	18.0 / 16.0	2650 / 3050	95 / 110	2.69 / 3.11	8.6 / 9.2	0.33 / 0.36	42 / 45
SA12038S2Mx	※	220-240	50 / 60	0.09 / 0.08	15.0 / 14.0	2450 / 2300	85 / 85	2.41 / 2.41	6.0 / 3.7	0.24 / 0.15	40 / 39
SA12038S2Lx	※	220-240	50 / 60	0.07 / 0.07	13.0 / 12.0	2200 / 2000	75 / 75	2.12 / 2.12	3.9 / 3.1	0.15 / 0.12	38 / 35

Type X could be T (Terminals) or L (Lead Wire) ◎ : Ball ※ : Sleeve

★如果您需要的轉速或電壓或功能不在這份清單上，請與我們業務聯繫 If you need another RPM or Voltage or Functions which one is not in the list, please contact us.

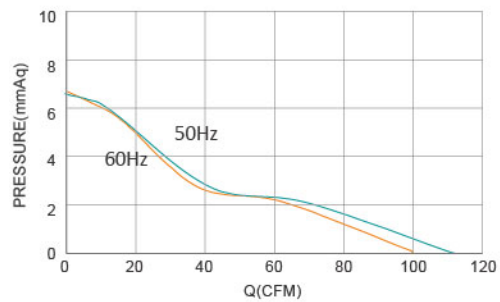


DIMENSIONS DRAWING UNIT : mm



- Frame : Aluminum
外框材質：鋁框
- Impeller : Thermoplastic PBT UL 94-V0
扇葉材質：環保防火PBT
- Ingress Protection : Optional IP55
防護等級：可選擇 IP55
- Weight : 530g
風扇單體重量：530克

P&Q Curve At Rated Voltage



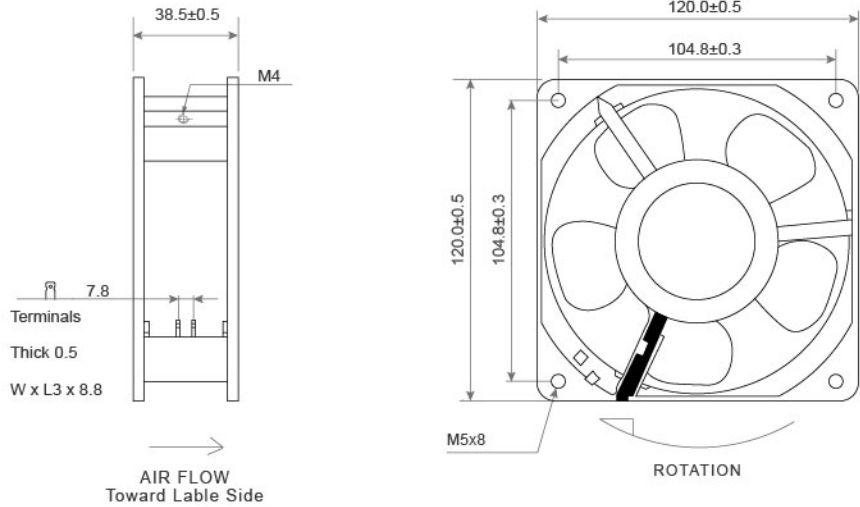
Model No.	Bearing Type	Voltage (VAC)	Frequency (Hz)	Current (A)	Power (W)	Speed (RPM)	Air Flow (CFM)	Air Flow (m ³ /min)	Air Pressure (mmH ₂ O)	Air Pressure (Inch H ₂ O)	Noise (dBA)
SA12038B1Hx	◎	115	50 / 60	0.24 / 0.21	19 / 17	2550 / 2700	100 / 112	2.83 / 3.17	6.7 / 6.7	0.26 / 0.26	42 / 45
SA12038B1Mx	◎	115	50 / 60	0.19 / 0.17	15 / 14	2350 / 2200	90 / 85	2.55 / 2.41	5.7 / 4.1	0.22 / 0.16	40 / 39
SA12038B1Lx	◎	115	50 / 60	0.16 / 0.15	13 / 12	2100 / 2000	82 / 76	2.32 / 2.15	3.9 / 3.1	0.15 / 0.12	37 / 35
SA12038S1Hx	※	115	50 / 60	0.25 / 0.22	19 / 17	2550 / 2700	100 / 112	2.83 / 3.17	6.7 / 6.7	0.26 / 0.26	42 / 45
SA12038S1Mx	※	115	50 / 60	0.22 / 0.20	17 / 16	2350 / 2200	90 / 85	2.55 / 2.41	5.7 / 4.1	0.22 / 0.16	40 / 39
SA12038S1Lx	※	115	50 / 60	0.17 / 0.16	13 / 12	2100 / 2000	82 / 76	2.32 / 2.15	3.9 / 3.1	0.15 / 0.12	37 / 35
SA12038B2Hx	◎	220-240	50 / 60	0.14 / 0.12	21 / 18	2550 / 2700	100 / 112	2.83 / 3.17	6.7 / 6.7	0.26 / 0.26	42 / 45
SA12038B2Mx	◎	220-240	50 / 60	0.10 / 0.09	15 / 14	2350 / 2200	90 / 85	2.55 / 2.41	5.7 / 4.1	0.22 / 0.16	40 / 39
SA12038B2Lx	◎	220-240	50 / 60	0.09 / 0.08	13 / 12	2100 / 2000	82 / 76	2.32 / 2.15	3.9 / 3.1	0.15 / 0.12	37 / 35
SA12038S2Hx	※	220-240	50 / 60	0.13 / 0.11	19 / 17	2550 / 2700	100 / 112	2.83 / 3.17	6.7 / 6.7	0.26 / 0.26	42 / 45
SA12038S2Mx	※	220-240	50 / 60	0.08 / 0.07	12 / 11	2350 / 2200	90 / 85	2.55 / 2.41	5.7 / 4.1	0.22 / 0.16	40 / 39
SA12038S2Lx	※	220-240	50 / 60	0.07 / 0.06	11 / 10	2100 / 2000	82 / 76	2.32 / 2.15	3.9 / 3.1	0.15 / 0.12	37 / 35

Type X could be T (Terminals) or L (Lead Wire) ◎ : Ball ※ : Sleeve

★如果您需要的轉速或電壓或功能不在這份清單上，請與我們業務聯繫 If you need another RPM or Voltage or Functions which one is not in the list, please contact us.

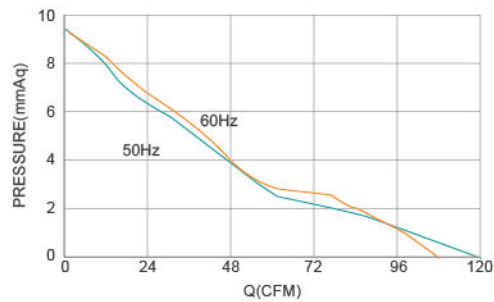


DIMENSIONS DRAWING UNIT : mm



- Frame : Aluminum
外框材質：鋁框
- Impeller : Thermoplastic PBT UL 94-V0
扇葉材質：環保防火PBT
- Ingress Protection : Optional IP55
防護等級：可選擇 IP55
- Weight : 530g
風扇單體重量：530克

P&Q Curve At Rated Voltage



Model No.	Bearing Type	Voltage (VAC)	Frequency (Hz)	Current (A)	Power (W)	Speed (RPM)	Air Flow (CFM)	Air Flow (m ³ /min)	Air Pressure (mmH ₂ O)	Air Pressure (Inch H ₂ O)	Noise (dBA)
SA12038B1Hx	◎	115	50 / 60	0.25 / 0.18	15.0 / 12.5	2700 / 3100	108 / 120	3.05 / 3.39	9.36 / 9.36	0.37 / 0.37	45 / 48
SA12038B2Hx	◎	220-240	50 / 60	0.13 / 0.10	16.0 / 14.0	2700 / 3100	108 / 120	3.05 / 3.39	9.36 / 9.36	0.37 / 0.37	45 / 48
SA12038B3Hx	◎	380	50	0.07	15.0	2700	93	2.63	8.40	0.33	45

Type X could be T (Terminals) or L (Lead Wire) ◎ : Ball ※ : Sleeve

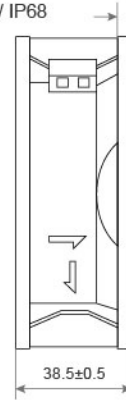
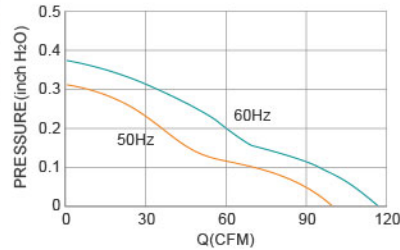
★如果您需要的轉速或電壓或功能不在這份清單上，請與我們業務聯繫 If you need another RPM or Voltage or Functions which one is not in the list, please contact us.

AC Axial Fan SA12038 J SERIES 120X120X38mm

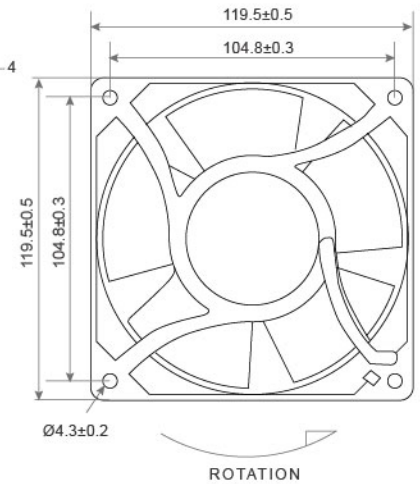


- Frame : Aluminum
外框材質：鋁框
- Impeller : Metal
扇葉材質：金屬葉
- Ingress Protection : Optional IP52 / IP55 / IP68
防護等級：可選擇 IP52/IP55/IP68
- Weight : 534g
風扇單體重量：534克

P&Q Curve At Rated Voltage



AIR FLOW



DIMENSIONS DRAWING UNIT : mm

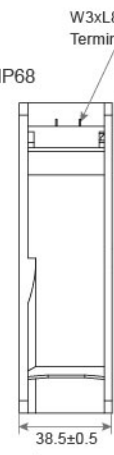
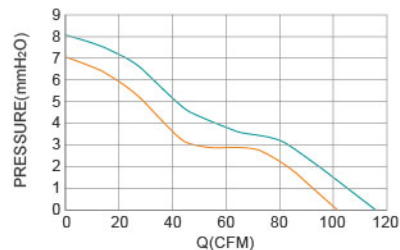
Model No.	Bearing Type	Voltage (VAC)	Frequency (Hz)	Current (A)	Power (W)	Speed (RPM)	Air Flow (CFM)	Air Flow (m ³ /min)	Air Pressure (mmH ₂ O)	Air Pressure (Inch H ₂ O)	Noise (dBA)
SA12038S1Hx.U	◎	115	50 / 60	0.13 / 0.11	12.5 / 11.0	2750 / 3200	95 / 114	2.69 / 3.23	8.38 / 9.65	0.33 / 0.38	44 / 48
SA12038B1Hx.U	◎	115	50 / 60	0.13 / 0.11	12.5 / 11.0	2750 / 3200	95 / 114	2.69 / 3.23	8.38 / 9.65	0.33 / 0.38	44 / 48
SA12038S2Hx.U	◎	230	50 / 60	0.06	14.0 / 15.0	2600 / 3100	95 / 114	2.69 / 3.23	8.38 / 9.65	0.33 / 0.38	44 / 48
SA12038B2Hx.U	◎	230	50 / 60	0.06	14.0 / 15.0	2600 / 3100	95 / 114	2.69 / 3.23	8.38 / 9.65	0.33 / 0.38	44 / 48

AC Axial Fan SA12738 SK SERIES 127X127X38mm

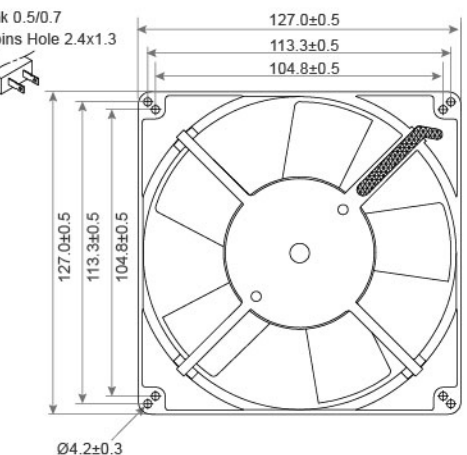


- Frame : Aluminum
外框材質：鋁框
- Impeller : Thermoplastic PBT UL 94-V0
扇葉材質：環保防火PBT
- Ingress Protection : Optional IP52 / IP55 / IP68
防護等級：可選擇 IP52/IP55/IP68
- Weight : 590g
風扇單體重量：590克

P&Q Curve At Rated Voltage



AIR FLOW



DIMENSIONS DRAWING UNIT : mm

Model No.	Bearing Type	Voltage (VAC)	Frequency (Hz)	Current (A)	Power (W)	Speed (RPM)	Air Flow (CFM)	Air Flow (m ³ /min)	Air Pressure (mmH ₂ O)	Air Pressure (Inch H ₂ O)	Noise (dBA)
SA12738S1Hx	※	115	50 / 60	0.22 / 0.18	18.4 / 14.6	2700 / 3000	102 / 116	2.9 / 3.3	7.1 / 8.1	0.28 / 0.32	50 / 55
SA12738B1Hx	◎	115	50 / 60	0.22 / 0.18	18.4 / 14.6	2700 / 3000	102 / 116	2.9 / 3.3	7.1 / 8.1	0.28 / 0.32	50 / 55
SA12738S2Hx	※	230	50 / 60	0.11 / 0.09	19.3 / 15.1	2700 / 3000	102 / 116	2.9 / 3.3	7.1 / 8.1	0.28 / 0.32	50 / 55
SA12738B2Hx	◎	230	50 / 60	0.11 / 0.09	19.3 / 15.1	2700 / 3000	102 / 116	2.9 / 3.3	7.1 / 8.1	0.28 / 0.32	50 / 55

Type X could be T (Terminals) or L (Lead Wire) ◎ : Ball ※ : Sleeve

★如果您需要的轉速或電壓或功能不在這份清單上，請與我們業務聯繫 If you need another RPM or Voltage or Functions which one is not in the list, please contact us.