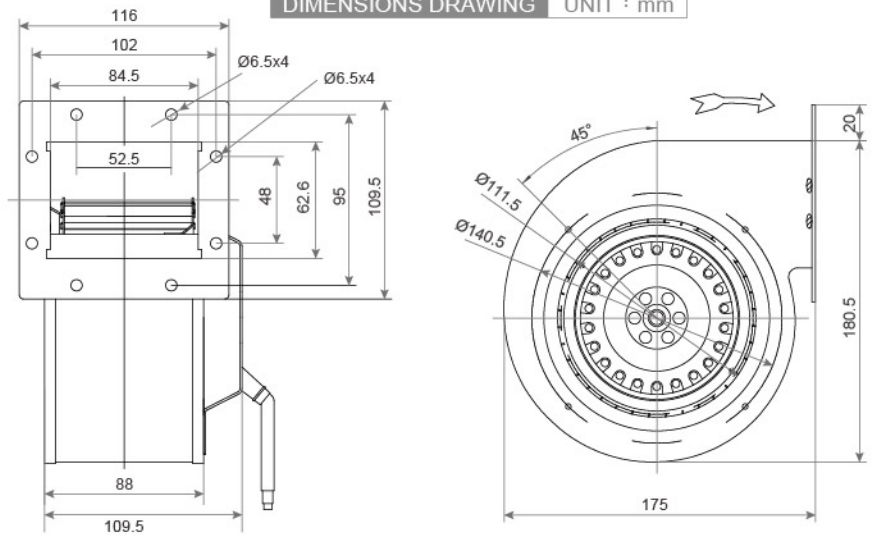
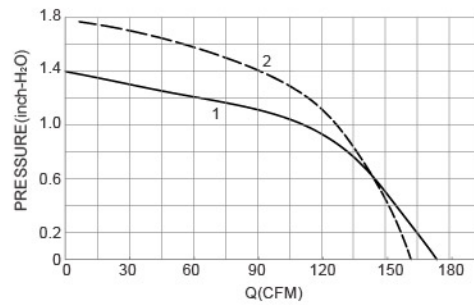


**AC Blower Fan**  
**SF133073 AF SERIES** 180X175X88mm



- Material : Galvanized sheet steel  
材質：鍍鋅板材
- Bearing System : Two Ball Bearing  
軸承結構：滾珠軸承
- Protection Class : IP44  
防護等級：IP44

**P&Q Curve** At Rated Voltage



Model No.	Voltage (VAC)	Frequency (Hz)	Current (A)	Power (W)	Speed (RPM)	Capacitor (µF)	Air Flow (CFM)	Air Flow (m <sup>3</sup> /min)	Temperature Min / Max(°C)	Noise (dBA)
SF133073B2HL	220 / 230	50 / 60	0.37 / 0.43	83 / 95	1850 / 1750	2.0	170 / 160	290 / 270	-30°C ~ +60°C	61 / 63

⊗ Bearing System ※ : Sleeve ★ : WRB Bearing ⊙ : Ball

★如果您需要的轉速或電壓或功能不在這份清單上，請與我們業務聯繫 If you need another RPM or Voltage or Functions which one is not in the list, please contact us.

★產品詳細數據及功能請參閱承認書 Please see the approval sheet for more information . ★產品規格變更不另行通知 Specifications are subject to change without notice.