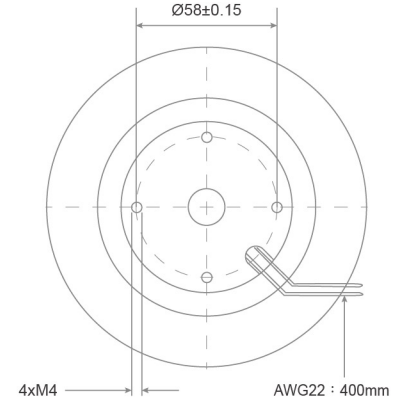
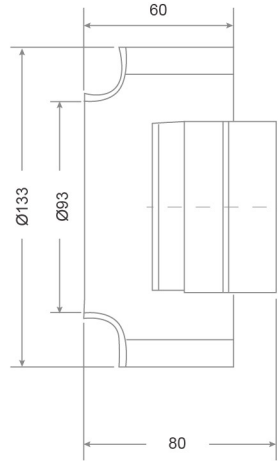


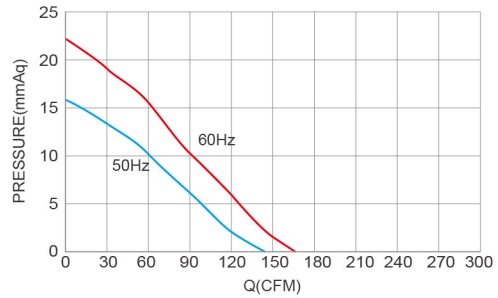
AC Centrifugal Fan SDC13380 SERIES $\varnothing 133 \times 80 \text{mm}$

DIMENSIONS DRAWING UNIT : mm



- Material : Plastic 材質 : 塑料
- Bearing System : Two Ball Bearing
軸承結構 : 滾珠軸承
- Protection Class : IP54
防護等級 : IP54
- Weight : 800g
風扇單體重量 : 800克

P&Q Curve At Rated Voltage



Model No.	Voltage (VAC)	Frequency (Hz)	Current (A)	Power (W)	Speed (RPM)	Air Flow (CFM)	Air Flow (m ³ /min)	Air Pressure (mmH ₂ O)	Air Pressure (Inch H ₂ O)	Noise (dBA)
SDC13380B1HL	115	50 / 60	0.26 / 0.24	26 / 28	2800 / 3200	145 / 165	4.1 / 4.7	15 / 21	0.59 / 0.83	62 / 65
SDC13380B2HL	230	50 / 60	0.10 / 0.12	23 / 27	2800 / 3200	145 / 165	4.1 / 4.7	15 / 21	0.59 / 0.83	62 / 65

T Three Speed * High Performance

★如果您需要的轉速或電壓或功能不在這份清單上，請與我們業務聯繫 If you need another RPM or Voltage or Functions which one is not in the list, please contact us.

★產品詳細數據及功能請參閱承認書 Please see the approval sheet for more information . ★產品規格變更不另行通知 Specifications are subject to change without notice.