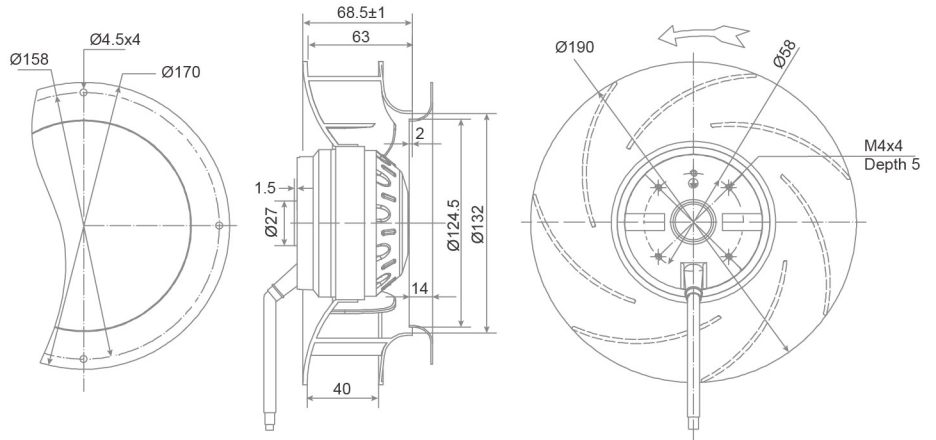


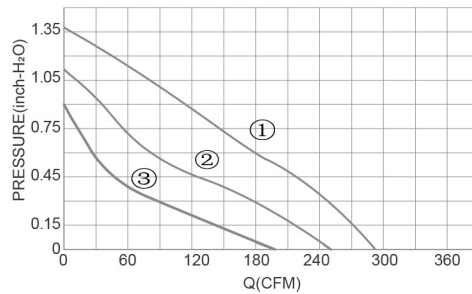
# AC Centrifugal Fan SDC19063 AF SERIES $\phi 190 \times 63 \text{mm}$

DIMENSIONS DRAWING UNIT : mm



- Material : Plastic PA66  
材質：塑料PA66
- Bearing System : Two Ball Bearing  
軸承結構：滾珠軸承
- Protection Class : IP44  
防護等級：IP44

P&Q Curve At Rated Voltage



Model No.	Voltage (VAC)	Frequency (HZ)	Current (A)	Power (W)	Speed (RPM)	Capacitor ( $\mu\text{F}$ )	Air Flow (CFM)	Air Flow ( $\text{m}^3/\text{min}$ )	Temperature Min / Max( $^{\circ}\text{C}$ )	Noise (dBA)
SDC19063B2HL	220 / 230	50 / 60	0.27 / 0.35	60 / 76	2500 / 2700	2.0	317 / 350	9.0 / 10.0	-30 $^{\circ}\text{C}$ ~ +60 $^{\circ}\text{C}$	65 / 68
SDC19063B2HL.T	220 / 230	50	0.28	60	2500	2.0	278	8.0	-30 $^{\circ}\text{C}$ ~ +60 $^{\circ}\text{C}$	65
SDC19063B2ML.T	220 / 230	50	0.23	48	2000	2.0	235	7.1	-30 $^{\circ}\text{C}$ ~ +60 $^{\circ}\text{C}$	60
SDC19063B2LL.T	220 / 230	50	0.22	45	1650	2.0	195	5.5	-30 $^{\circ}\text{C}$ ~ +60 $^{\circ}\text{C}$	54