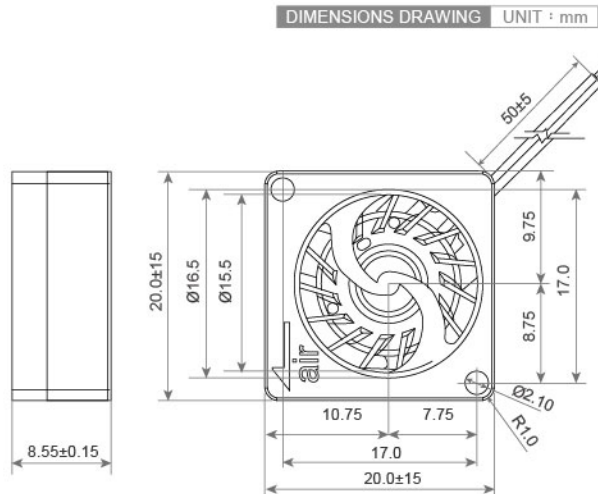
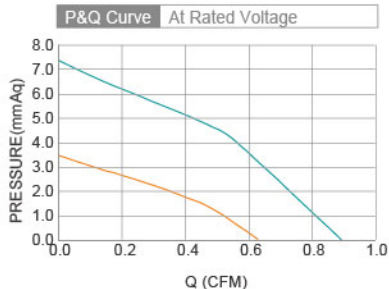
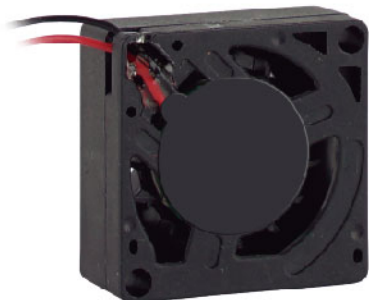


DC Blower Fan

SFB2008N 20X20X8mm

- Frame : Thermoplastic PBT UL94-V0
外框材質：環保防火PBT
- Impeller : Thermoplastic PBT UL94-V0
扇葉材質：環保防火PBT
- Bearing : ★WRB Bearing
軸承：★WRB軸承
- Unit Weight : 2.9g
風扇單體重量：2.9克



Model No.	Bearing Type	Voltage (VDC)	Current (A)	Power (W)	Speed (RPM)	Air Flow (CFM)	Air Flow (m ³ /min)	Air Pressure (mmH ₂ O)	Air Pressure (Inch H ₂ O)	Noise (dBA)
SFB2008NL-3	★	3.3(2.8~3.6)	0.045	0.15	8000	0.50	0.014	2.05	0.081	16.0
SFB2008N-3	★	3.3(2.8~3.6)	0.085	0.28	10000	0.63	0.018	3.48	0.137	21.8
SFB2008NL-5	★	5.0(4.5~5.5)	0.070	0.35	11000	0.70	0.020	4.24	0.167	24.0
SFB2008N-5	★	5.0(4.5~5.5)	0.125	0.63	14000	0.89	0.025	7.36	0.290	31.1