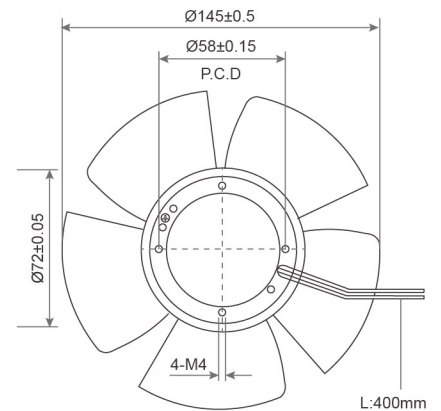


AIR FLOW

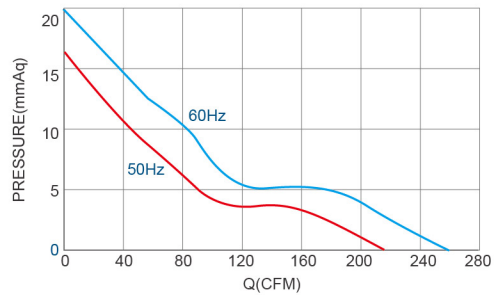
DIMENSIONS DRAWING UNIT : mm



ROTATION

- Impeller : Steel or Thermoplastic PBT UL 94-V0
扇葉材質：金屬扇葉或環保防火PBT UL94-V0
- Ingress Protection : Optional IP54 or IP56 or IP68
防護等級：可選擇 IP54或IP56或IP68
- Weight : 640g
風扇單體重量：640克

P&Q Curve At Rated Voltage



| Model No. | Bearing Type | Voltage (VAC) | Frequency (Hz) | Current (A) | Power (W) | Speed (RPM) | Air Flow (CFM) | Air Pressure (mmH ₂ O) | Noise (dBA) |
|----------------|--------------|---------------|----------------|-------------|-----------|-------------|----------------|-----------------------------------|-------------|
| SDA14555B1Hx | ◎ | 115 | 50 / 60 | 0.10 / 0.11 | 23 / 26 | 2800 / 3300 | 220 / 260 | 16.5 / 20.0 | 55 / 61 |
| SDA14555B1Hx | ◎ | 230 | 50 / 60 | 0.27 / 0.23 | 23 / 26 | 2800 / 3300 | 220 / 260 | 16.5 / 20.0 | 55 / 61 |
| SDA14555B1Hx.U | ◎ | 115 | 50 / 60 | 0.10 / 0.11 | 23 / 26 | 2800 / 3300 | 220 / 260 | 16.5 / 20.0 | 55 / 61 |
| SDA14555B1Hx.U | ◎ | 230 | 50 / 60 | 0.27 / 0.23 | 23 / 26 | 2800 / 3300 | 220 / 260 | 16.5 / 20.0 | 55 / 61 |

⊗ Bearing System ※ : Sleeve ★ : WRB Bearing ◎ : Ball

★如果您需要的轉速或電壓或功能不在這份清單上，請與我們業務聯繫 If you need another RPM or Voltage or Functions which one is not in the list, please contact us.

★產品詳細數據及功能請參閱承認書 Please see the approval sheet for more information . ★產品規格變更不另行通知 Specifications are subject to change without notice.