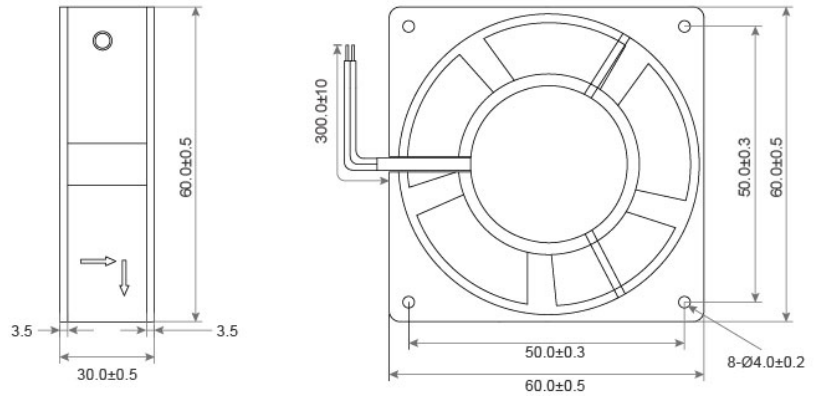




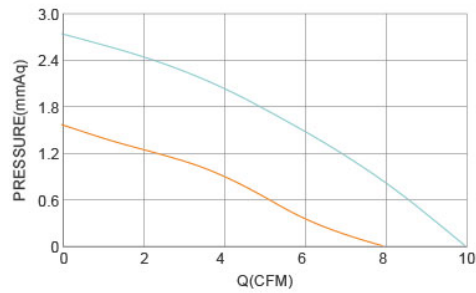
AC Axial Fan SA6030 U SERIES 60X60X30mm

DIMENSIONS DRAWING UNIT : mm



- Frame : Aluminum
外框材質 : 鋁框
- Impeller : Thermoplastic PBT UL 94-V0
扇葉材質 : 環保防火PBT
- Ingress Protection : Optional IP55
防護等級 : 可選擇 IP55
- Weight : 200g
風扇單體重量 : 200克

P&Q Curve At Rated Voltage



Model No.	Bearing Type	Voltage (VAC)	Frequency (Hz)	Current (A)	Power (W)	Speed (RPM)	Air Flow (CFM)	Air Flow (m ³ /min)	Air Pressure (mmH ₂ O)	Air Pressure (Inch H ₂ O)	Noise (dBA)
SA6030B1Mx	◎	120	50 / 60	0.04 / 0.03	5.0 / 4.0	2500 / 3000	7.9 / 10.0	0.22 / 0.30	0.06 / 0.10	1.6 / 2.7	26 / 27
SA6030B2Mx	◎	230	50 / 60	0.02 / 0.02	5.0 / 4.0	2500 / 3000	7.9 / 10.0	0.22 / 0.30	0.06 / 0.10	1.6 / 2.7	26 / 27
SA6030S1Mx	※	120	50 / 60	0.04 / 0.03	5.0 / 4.0	2500 / 3000	7.9 / 10.0	0.22 / 0.30	0.06 / 0.10	1.6 / 2.7	26 / 27
SA6030S2Mx	※	230	50 / 60	0.02 / 0.02	5.0 / 4.0	2500 / 3000	7.9 / 10.0	0.22 / 0.30	0.06 / 0.10	1.6 / 2.7	26 / 27

Type x could be T (Terminals) or L (Lead Wire) ◎ : Ball ※ : Sleeve

★如果您需要的轉速或電壓或功能不在這份清單上，請與我們業務聯繫 If you need another RPM or Voltage or Functions which one is not in the list, please contact us.

★產品詳細數據及功能請參閱承認書 Please see the approval sheet for more information . ★產品規格變更不另行通知 Specifications are subject to change without notice.