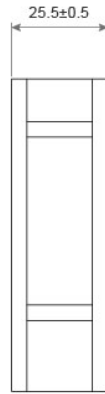


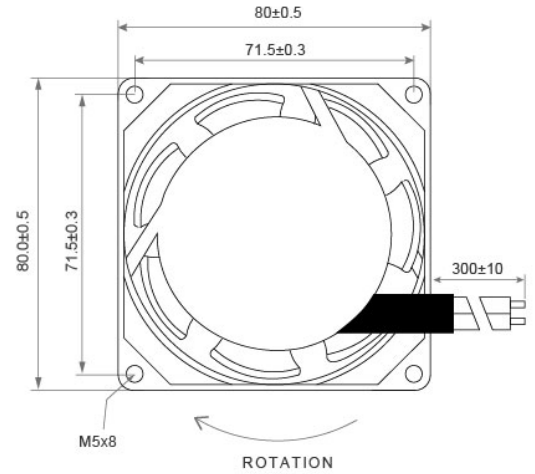


AC Axial Fan SA8025 SERIES 80X80X25mm



← AIR FLOW

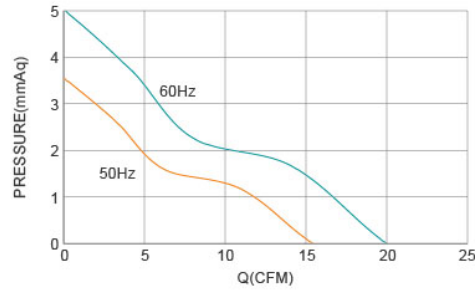
DIMENSIONS DRAWING UNIT : mm



ROTATION

- Frame : Aluminum
外框材質：鋁框
- Impeller : Thermoplastic PBT UL 94-V0
扇葉材質：環保防火PBT
- Ingress Protection : Optional IP55
防護等級：可選擇 IP55
- Weight : 240g
風扇單體重量：240克

P&Q Curve At Rated Voltage

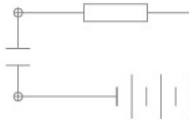


Model No.	Bearing Type	Voltage (VAC)	Frequency (Hz)	Current (A)	Power (W)	Speed (RPM)	Air Flow (CFM)	Air Flow (m ³ /min)	Air Pressure (mmHzO)	Air Pressure (Inch H ₂ O)	Noise (dBA)
SA8025B1Hx	◎	115	50 / 60	0.18 / 0.14	15.5 / 12.3	2600 / 3100	16 / 20	0.45 / 0.57	3.5 / 5.0	0.14 / 0.20	33 / 36
SA8025B1Mx	◎	115	50 / 60	0.06 / 0.05	5.3 / 4.3	2500 / 2750	15 / 18	0.42 / 0.51	3.3 / 4.1	0.13 / 0.16	32 / 33
SA8025B1Lx	◎	115	50 / 60	0.04 / 0.04	4.0 / 3.6	2150 / 2100	14 / 14	0.40 / 0.40	2.6 / 2.3	0.10 / 0.09	28 / 27
SA8025S1Hx	※	115	50 / 60	0.17 / 0.14	15.5 / 12.2	2500 / 3000	16 / 20	0.45 / 0.57	3.5 / 5.0	0.14 / 0.20	33 / 35
SA8025S1Mx	※	115	50 / 60	0.06 / 0.05	5.2 / 4.4	2300 / 2400	15 / 16	0.42 / 0.45	2.8 / 3.1	0.11 / 0.12	30 / 31
SA8025S1Lx	※	115	50 / 60	0.05 / 0.04	4.0 / 3.5	2100 / 1950	13 / 12	0.34 / 0.33	2.2 / 1.8	0.09 / 0.07	28 / 25
SA8025B2Hx	◎	220-240	50 / 60	0.07 / 0.06	12.0 / 10.0	2600 / 3100	16 / 20	0.45 / 0.57	3.5 / 5.0	0.14 / 0.20	33 / 36
SA8025B2Mx	◎	220-240	50 / 60	0.04 / 0.04	8.0 / 6.2	2400 / 2700	15 / 18	0.42 / 0.51	3.3 / 3.9	0.13 / 0.15	31 / 33
SA8025B2Lx	◎	220-240	50 / 60	0.03 / 0.02	5.1 / 4.2	2250 / 2300	14 / 14	0.40 / 0.40	2.6 / 2.6	0.10 / 0.10	28 / 28
SA8025S2Hx	※	220-240	50 / 60	0.07 / 0.06	12.4 / 10.0	2500 / 2900	16 / 20	0.45 / 0.57	3.5 / 4.5	0.14 / 0.18	32 / 34
SA8025S2Mx	※	220-240	50 / 60	0.04 / 0.03	6.6 / 5.5	2300 / 2400	15 / 15	0.42 / 0.42	2.9 / 3.3	0.11 / 0.13	30 / 31
SA8025S2Lx	※	220-240	50 / 60	0.03 / 0.02	5.2 / 4.3	1900 / 1700	12 / 11	0.34 / 0.33	1.8 / 1.3	0.07 / 0.05	25 / 23

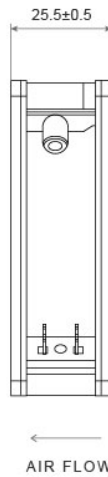
Type x could be T (Terminals) or L (Lead Wire) ◎ : Ball ※ : Sleeve

★如果您需要的轉速或電壓或功能不在這份清單上，請與我們業務聯繫 If you need another RPM or Voltage or Functions which one is not in the list, please contact us.

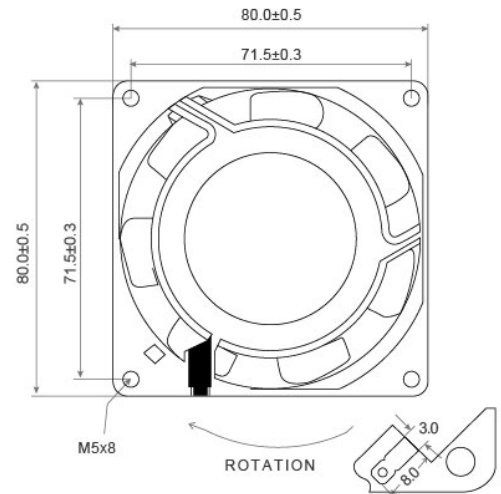
★產品詳細數據及功能請參閱承認書 Please see the approval sheet for more information . ★產品規格變更不另行通知 Specifications are subject to change without notice.



AC Axial Fan SA8025 YACOOOL SERIES 80X80X25mm

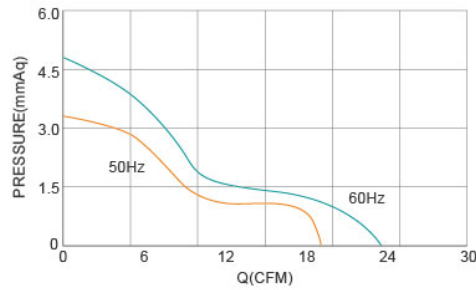


DIMENSIONS DRAWING UNIT : mm



- Frame : Aluminum
外框材質：鋁框
- Impeller : Thermoplastic PBT UL 94-V0
扇葉材質：環保防火PBT
- Ingress Protection : Optional IP55
防護等級：可選擇 IP55
- Weight : 240g
風扇單體重量：240克

P&Q Curve At Rated Voltage



Model No.	Bearing Type	Voltage (VAC)	Frequency (Hz)	Current (A)	Power (W)	Speed (RPM)	Air Flow (CFM)	Air Flow (m ³ /min)	Air Pressure (mmH ₂ O)	Air Pressure (Inch H ₂ O)	Noise (dBA)
SA8025B1Hx	◎	115	50 / 60	0.18 / 0.14	14.0 / 10.0	2600 / 3150	19 / 23	0.54 / 0.67	3.6 / 5.5	0.14 / 0.22	30 / 35
SA8025B2Hx	◎	220-240	50 / 60	0.09 / 0.07	14.0 / 10.0	2600 / 3150	19 / 23	0.54 / 0.67	3.6 / 5.5	0.14 / 0.22	30 / 35

Type **x** could be **T** (Terminals) or **L** (Lead Wire) ◎ : Ball ※ : Sleeve

★如果您需要的轉速或電壓或功能不在這份清單上，請與我們業務聯繫 If you need another RPM or Voltage or Functions which one is not in the list, please contact us.

★產品詳細數據及功能請參閱承認書 Please see the approval sheet for more information . ★產品規格變更不另行通知 Specifications are subject to change without notice.