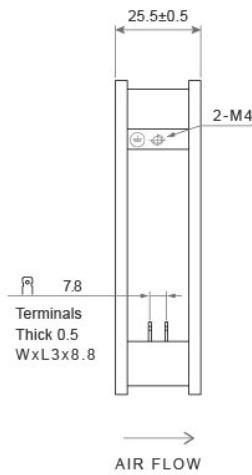
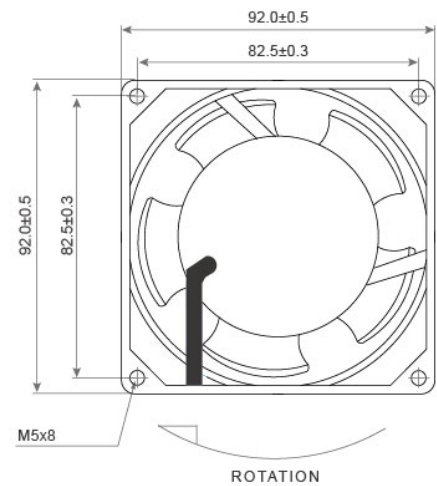




AC Axial Fan SA9225 SERIES 92X92X25mm

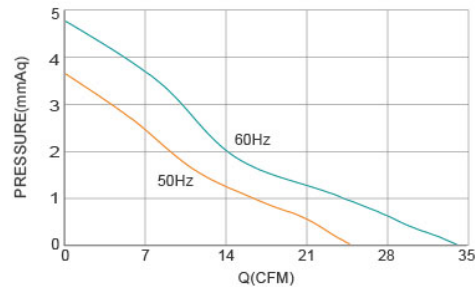


DIMENSIONS DRAWING UNIT : mm



- Frame : Aluminum
外框材質：鋁框
- Impeller : Thermoplastic PBT UL 94-V0
扇葉材質：環保防火PBT
- Ingress Protection : Optional IP55
防護等級：可選擇 IP55
- Weight : 250g
風扇單體重量：250克

P&Q Curve At Rated Voltage

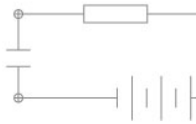


Model No.	Bearing Type	Voltage (VAC)	Frequency (Hz)	Current (A)	Power (W)	Speed (RPM)	Air Flow (CFM)	Air Flow (m ³ /min)	Air Pressure (mmH ₂ O)	Air Pressure (Inch H ₂ O)	Noise (dBA)
SA9225B1Hx	◎	115	50/60	0.18 / 0.15	15.5 / 12.3	2600 / 3100	25 / 34	0.71 / 0.96	3.5 / 4.8	0.14 / 0.19	34 / 37
SA9225B1Mx	◎	115	50/60	0.06 / 0.05	5.3 / 4.3	2400 / 2600	24 / 29	0.68 / 0.82	2.7 / 3.1	0.11 / 0.12	32 / 34
SA9225B1Lx	◎	115	50/60	0.04 / 0.04	4.1 / 3.7	2200 / 2200	21 / 21	0.59 / 0.59	2.1 / 1.7	0.08 / 0.07	28 / 28
SA9225S1Hx	※	115	50/60	0.18 / 0.15	15.6 / 12.7	2500 / 3000	24 / 32	0.68 / 0.90	3.3 / 4.5	0.13 / 0.18	33 / 36
SA9225S1Mx	※	115	50/60	0.09 / 0.08	7.9 / 6.4	2400 / 2700	23 / 28	0.65 / 0.80	3.1 / 3.2	0.12 / 0.13	32 / 34
SA9225S1Lx	※	115	50/60	0.06 / 0.05	5.3 / 4.3	2300 / 2300	22 / 22	0.62 / 0.62	2.5 / 2.0	0.10 / 0.08	29 / 29
SA9225B2Hx	◎	220-240	50/60	0.07 / 0.06	12.0 / 10.0	2600 / 3050	25 / 34	0.71 / 0.96	3.6 / 4.5	0.14 / 0.18	34 / 37
SA9225B2Mx	◎	220-240	50/60	0.05 / 0.04	8.0 / 6.4	2300 / 2500	24 / 24	0.68 / 0.68	2.5 / 2.7	0.10 / 0.11	31 / 33
SA9225B2Lx	◎	220-240	50/60	0.03 / 0.02	5.0 / 4.0	2100 / 2000	20 / 20	0.57 / 0.57	2.0 / 1.6	0.08 / 0.06	28 / 27
SA9225S2Hx	※	220-240	50/60	0.07 / 0.06	12.0 / 10.0	2500 / 2850	25 / 29	0.71 / 0.82	3.2 / 3.9	0.13 / 0.15	33 / 36
SA9225S2Mx	※	220-240	50/60	0.05 / 0.04	9.0 / 7.3	2300 / 2400	25 / 25	1.20 / 1.08	2.6 / 2.4	0.10 / 0.09	31 / 32
SA9225S2Lx	※	220-240	50/60	0.04 / 0.03	8.0 / 6.4	2100 / 2100	20 / 20	0.57 / 0.57	1.9 / 1.5	0.07 / 0.06	28 / 28

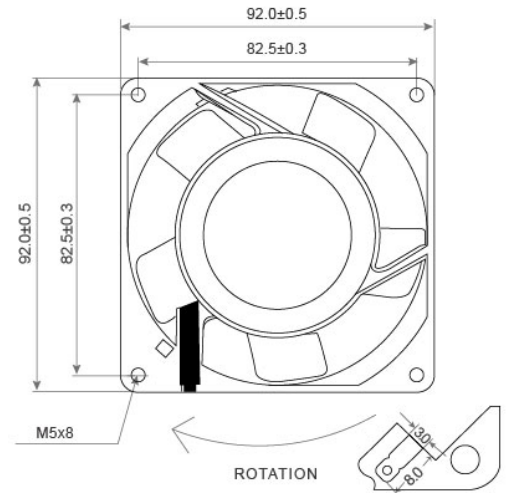
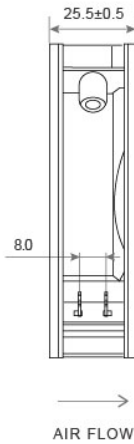
Type x could be T (Terminals) or L (Lead Wire) ◎ : Ball ※ : Sleeve

★如果您需要的轉速或電壓或功能不在這份清單上，請與我們業務聯繫 If you need another RPM or Voltage or Functions which one is not in the list, please contact us.

★產品詳細數據及功能請參閱承認書 Please see the approval sheet for more information . ★產品規格變更不另行通知 Specifications are subject to change without notice.

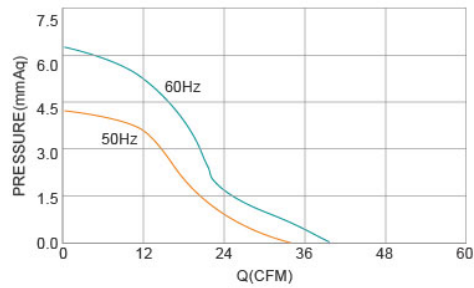


DIMENSIONS DRAWING UNIT : mm



- Frame : Aluminum
外框材質：鋁框
- Impeller : Thermoplastic PBT UL 94-V0
扇葉材質：環保防火PBT
- Ingress Protection : Optional IP55
防護等級：可選擇 IP55
- Weight : 260g
風扇單體重量：260克

P&Q Curve At Rated Voltage



Model No.	Bearing Type	Voltage (VAC)	Frequency (Hz)	Current (A)	Power (W)	Speed (RPM)	Air Flow (CFM)	Air Flow (m ³ /min)	Air Pressure (mmH ₂ O)	Air Pressure (Inch H ₂ O)	Noise (dBA)
SA9225B1Hx	◎	115	50 / 60	0.18 / 0.14	14.0 / 10.0	2600 / 3000	33 / 40	0.93 / 1.13	4.2 / 6.1	0.17 / 0.24	32 / 46
SA9225B2Hx	◎	220-240	50 / 60	0.09 / 0.07	14.0 / 10.0	2600 / 3000	33 / 40	0.93 / 1.13	4.2 / 6.1	0.17 / 0.24	32 / 46

Type x could be T (Terminals) or L (Lead Wire) ◎ : Ball ※ : Sleeve

★如果您需要的轉速或電壓或功能不在這份清單上，請與我們業務聯繫 If you need another RPM or Voltage or Functions which one is not in the list, please contact us.

★產品詳細數據及功能請參閱承認書 Please see the approval sheet for more information . ★產品規格變更不另行通知 Specifications are subject to change without notice.