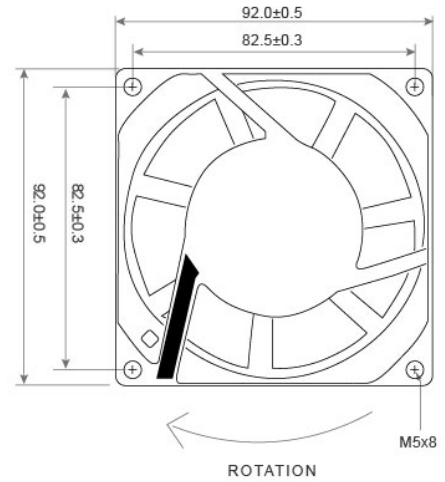
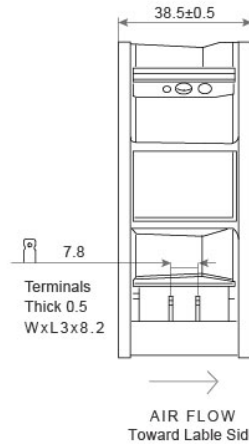




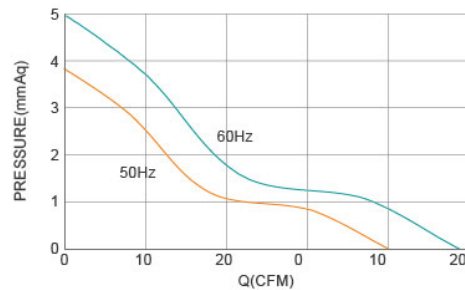
AC Axial Fan SA9238 SERIES 92X92X38mm

DIMENSIONS DRAWING UNIT : mm



- Frame : Aluminum
外框材質：鋁框
- Impeller : Thermoplastic PBT UL 94-V0
扇葉材質：環保防火PBT
- Ingress Protection : Optional IP55
防護等級：可選擇 IP55
- Weight : 340g
風扇單體重量：340克

P&Q Curve At Rated Voltage



Model No.	Bearing Type	Voltage (VAC)	Frequency (HZ)	Current (A)	Power (W)	Speed (RPM)	Air Flow (CFM)	(m ³ /min)	Air Pressure (mmH ₂ O)	(Inch H ₂ O)	Noise (dBA)
SA9238B1Hx	◎	115	50 / 60	0.16 / 0.12	11.0 / 8.0	2350 / 2700	38 / 46	1.08 / 1.30	3.5 / 4.2	0.14 / 0.17	34 / 37
SA9238B1Mx	◎	115	50 / 60	0.09 / 0.07	6.5 / 5.3	2200 / 2300	35 / 37	1.00 / 1.05	2.9 / 3.0	0.11 / 0.12	32 / 33
SA9238B1Lx	◎	115	50 / 60	0.07 / 0.06	5.2 / 4.3	2100 / 2050	33 / 33	0.93 / 0.93	2.6 / 2.2	0.10 / 0.09	30 / 29
SA9238S1Hx	※	115	50 / 60	0.18 / 0.12	14.0 / 10.0	2200 / 2700	37 / 46	1.05 / 1.30	3.2 / 4.3	0.13 / 0.17	32 / 37
SA9238S1Mx	※	115	50 / 60	0.14 / 0.10	9.0 / 7.0	2050 / 2300	32 / 37	0.91 / 1.05	3.0 / 3.5	0.12 / 0.14	29 / 33
SA9238S1Lx	※	115	50 / 60	0.09 / 0.08	6.7 / 5.5	1950 / 1900	31 / 30	0.88 / 0.85	2.3 / 2.0	0.09 / 0.08	28 / 27
SA9238B2Hx	◎	220-240	50 / 60	0.10 / 0.07	14.0 / 10.0	2400 / 2800	40 / 48	1.13 / 1.36	3.8 / 5.0	0.15 / 0.20	35 / 38
SA9238B2Mx	◎	220-240	50 / 60	0.05 / 0.04	7.5 / 6.0	2200 / 2350	38 / 40	1.08 / 1.13	3.2 / 3.3	0.13 / 0.13	33 / 35
SA9238B2Lx	◎	220-240	50 / 60	0.04 / 0.04	6.5 / 5.5	2050 / 2100	33 / 34	0.93 / 0.96	2.7 / 2.3	0.11 / 0.09	29 / 30
SA9238S2Hx	※	220-240	50 / 60	0.10 / 0.07	14.0 / 10.0	2250 / 2650	38 / 45	1.08 / 1.27	3.5 / 4.4	0.14 / 0.17	33 / 37
SA9238S2Mx	※	220-240	50 / 60	0.05 / 0.04	7.5 / 6.0	2000 / 2000	33 / 33	0.93 / 0.93	2.4 / 2.4	0.09 / 0.09	29 / 29
SA9238S2Lx	※	220-240	50 / 60	0.04 / 0.04	6.5 / 5.5	1900 / 1800	32 / 30	0.90 / 0.85	2.1 / 1.8	0.08 / 0.07	28 / 27

Type x could be T (Terminals) or L (Lead Wire) ◎ : Ball ※ : Sleeve

★如果您需要的轉速或電壓或功能不在這份清單上，請與我們業務聯繫 If you need another RPM or Voltage or Functions which one is not in the list, please contact us.

★產品詳細數據及功能請參閱承認書 Please see the approval sheet for more information . ★產品規格變更不另行通知 Specifications are subject to change without notice.



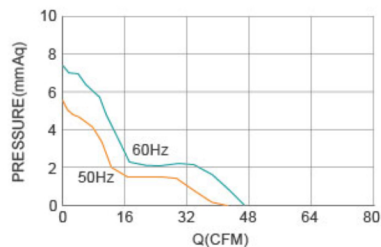
AC Axial Fan

SA9238 YACOOOL SERIES 92X92X38mm

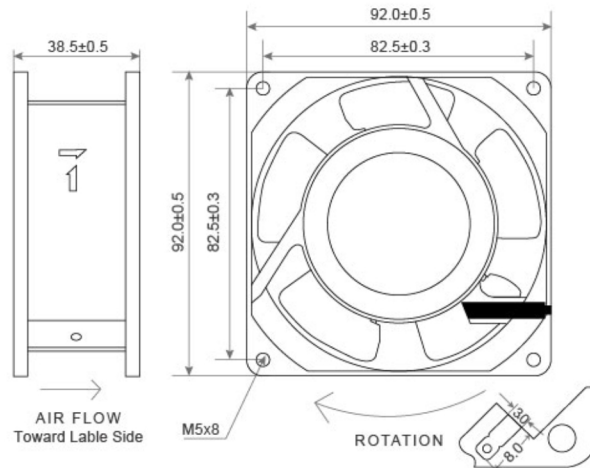


- Frame : Aluminum
外框材質：鋁框
- Impeller : Thermoplastic PBT UL 94-V0
扇葉材質：環保防火PBT
- Ingress Protection : Optional IP55
防護等級：可選擇 IP55
- Weight : 430g
風扇單體重量：430克

P&Q Curve At Rated Voltage



DIMENSIONS DRAWING UNIT : mm



Model No.	Bearing Type	Voltage (VAC)	Frequency (HZ)	Current (A)	Power (W)	Speed (RPM)	Air Flow (CFM)	Air Flow (m ³ /min)	Air Pressure (mmH ₂ O)	Air Pressure (Inch H ₂ O)	Noise (dBA)
SA9238B1Hx	◎	115	50 / 60	0.25 / 0.18	15.0 / 11.0	2800 / 3300	40 / 47	1.18 / 1.33	5.5 / 7.4	0.22 / 0.29	38 / 43
SA9238B2Hx	◎	220-240	50 / 60	0.13 / 0.10	15.0 / 11.0	2800 / 3300	40 / 50	1.15 / 1.42	5.9 / 8.3	0.23 / 0.33	38 / 43

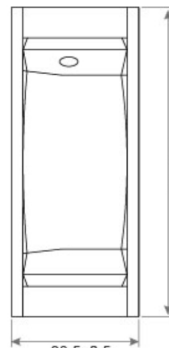
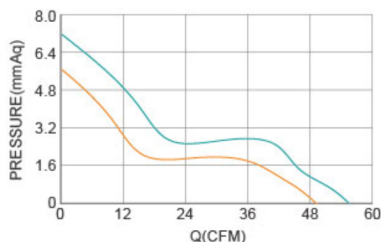


AC Axial Fan SA9238 U SERIES 92X92X38mm

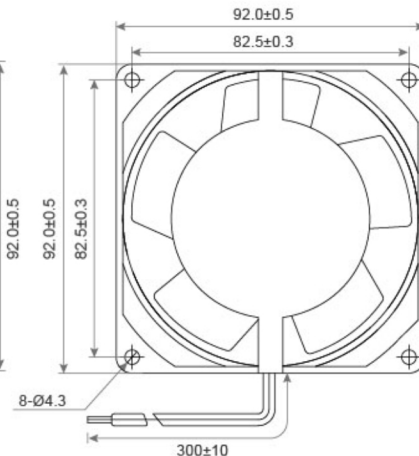


- Frame : Aluminum
外框材質：鋁框
- Impeller : Metal
扇葉材質：金屬葉
- Ingress Protection : Optional IP55
防護等級：可選擇 IP55
- Weight : 470g
風扇單體重量：470克

P&Q Curve At Rated Voltage



AIR FLOW



DIMENSIONS DRAWING UNIT : mm

Model No.	Bearing Type	Voltage (VAC)	Frequency (HZ)	Current (A)	Power (W)	Speed (RPM)	Air Flow (CFM)	Air Flow (m ³ /min)	Air Pressure (mmH ₂ O)	Air Pressure (Inch H ₂ O)	Noise (dBA)
SA9238B1Hx	◎	115	50 / 60	0.25 / 0.24	16.0 / 14.0	2790 / 3240	49 / 56	1.39 / 1.57	5.7 / 7.1	0.22 / 0.28	42 / 48
SA9238S1Hx	※	115	50 / 60	0.25 / 0.24	16.0 / 14.0	2790 / 3240	49 / 56	1.39 / 1.57	5.7 / 7.1	0.22 / 0.28	42 / 48
SA9238B2Hx	◎	220	50 / 60	0.08 / 0.06	12.0 / 12.8	2790 / 3240	49 / 56	1.39 / 1.57	5.7 / 7.1	0.22 / 0.28	42 / 48
SA9238S2Hx	※	220	50 / 60	0.08 / 0.06	12.0 / 12.8	2790 / 3240	49 / 56	1.39 / 1.57	5.7 / 7.1	0.22 / 0.28	42 / 48

Type x could be T (Terminals) or L (Lead Wire) ◎ : Ball ※ : Sleeve

★如果您需要的轉速或電壓或功能不在這份清單上，請與我們業務聯繫 If you need another RPM or Voltage or Functions which one is not in the list, please contact us.

★產品詳細數據及功能請參閱承認書 Please see the approval sheet for more information . ★產品規格變更不另行通知 Specifications are subject to change without notice.