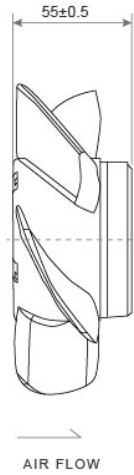
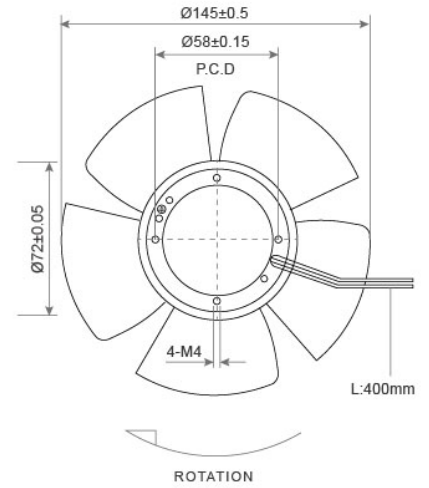


# AC Axial Fan SDA14555 SERIES Ø145X55mm

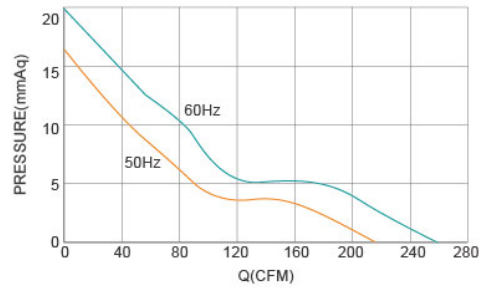


DIMENSIONS DRAWING UNIT : mm



- Impeller : Metal or Thermoplastic PBT UL 94-V0  
扇葉材質：金屬葉或環保防火PBT
- Ingress Protection : Optional IP54 or IP56 or IP68  
防護等級：可選擇 IP54或IP56或IP68
- Weight : 640g  
風扇單體重量：640克

P&Q Curve At Rated Voltage



Model No.	Bearing Type	Voltage (VAC)	Frequency (Hz)	Current (A)	Power (W)	Speed (RPM)	Air Flow (CFM)	Air Pressure (mmH <sub>2</sub> O)	Noise (dBA)	
SDA14555B1Hx	◎	115	50 / 60	0.10 / 0.11		23 / 26	2800 / 3300	220 / 260	16.5 / 20.0	55 / 61
SDA14555B2Hx	◎	230	50 / 60	0.27 / 0.23		23 / 26	2800 / 3300	220 / 260	16.5 / 20.0	55 / 61
SDA14555B1Hx.U	◎	115	50 / 60	0.10 / 0.11		23 / 26	2800 / 3300	220 / 260	16.5 / 20.0	55 / 61
SDA14555B2Hx.U	◎	230	50 / 60	0.27 / 0.23		23 / 26	2800 / 3300	220 / 260	16.5 / 20.0	55 / 61

Type X could be T (Terminals) or L (Lead Wire) ◎ : Ball ※ : Sleeve

★如果您需要的轉速或電壓或功能不在這份清單上，請與我們業務聯繫 If you need another RPM or Voltage or Functions which one is not in the list, please contact us.