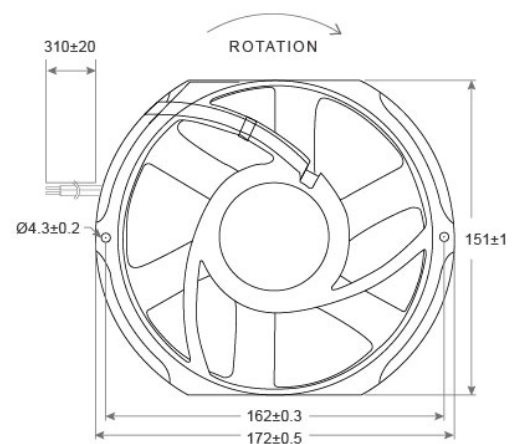
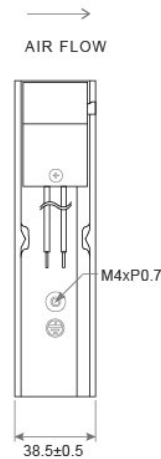


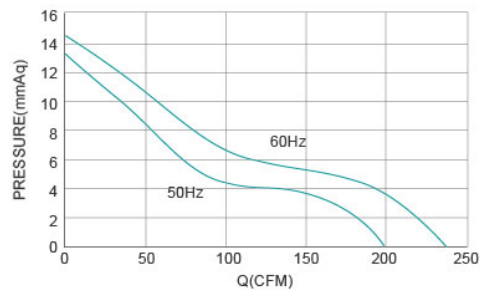
AC Axial Fan SDA17238 SERIES 172X151X38mm

DIMENSIONS DRAWING UNIT : mm



- Frame : Aluminum
外框材質：鋁框
- Impeller : Metal or Thermoplastic PBT UL 94-V0
扇葉材質：金屬葉或環保防火PBT
- Ingress Protection : Optional IP55 or IP68
防護等級：可選擇 IP55或IP68
- Weight : Steel Impeller 820g / Plastic Impeller 800g
風扇單體重量：金屬扇葉 820克 / 塑膠扇葉 800克

P&Q Curve At Rated Voltage



Model No.	Bearing Type	Voltage (VAC)	Frequency (Hz)	Current (A)	Power (W)	Speed (RPM)	Air Flow (CFM)	Air Flow (m ³ /min)	Air Pressure (mmH ₂ O)	Air Pressure (Inch H ₂ O)	Noise (dBA)
SDA17238B1Hx	◎	115	50 / 60	0.25 / 0.21	27.0 / 25.0	2700 / 3100	210 / 250	5.94 / 6.79	14.0 / 15.5	0.55 / 0.61	53 / 59
SDA17238B2Hx	◎	230	50 / 60	0.11 / 0.10	25.0 / 25.0	2700 / 3100	210 / 250	5.94 / 6.79	14.0 / 15.5	0.55 / 0.61	53 / 59
SDA17238B1Hx.U	◎	115	50 / 60	0.25 / 0.21	27.0 / 25.0	2700 / 3100	210 / 240	5.94 / 6.79	13.5 / 14.5	0.53 / 0.57	53 / 59
SDA17238B2Hx.U	◎	230	50 / 60	0.11 / 0.12	26.0 / 27.0	2700 / 3100	210 / 240	5.94 / 6.79	13.5 / 14.5	0.53 / 0.57	53 / 59
SDA17238B1Mx.U	◎	115	50 / 60	0.13 / 0.16	14.5 / 17.0	2400 / 2400	183 / 185	5.18 / 5.24	6.3 / 4.9	0.25 / 0.19	51 / 51
SDA17238B2Mx.U	◎	230	50 / 60	0.08 / 0.10	16.4 / 19.0	2400 / 2400	183 / 185	5.18 / 5.24	6.3 / 4.9	0.25 / 0.19	51 / 51
SDA17238B1Lx.U	◎	115	50 / 60	0.07 / 0.07	8.0 / 9.0	1750 / 1750	138 / 127	3.91 / 3.59	3.1 / 2.7	0.12 / 0.11	46 / 35
SDA17238B2Lx.U	◎	230	50 / 60	0.04 / 0.05	10.0 / 11.0	1850 / 1750	138 / 127	3.91 / 3.59	3.1 / 2.7	0.12 / 0.11	47 / 45
SDA17238B28x.U(3ø)◎	◎	280	50 / 60	0.11 / 0.11	27.0 / 26.0	2600 / 3000	200 / 230	5.66 / 6.51	12.0 / 11.0	0.47 / 0.43	52 / 58
SDA17238B3Hx.U	◎	380	50 / 60	0.06 / 0.06	22.0 / 23.0	2600 / 3000	200 / 230	5.66 / 6.51	12.0 / 11.0	0.47 / 0.43	52 / 58
SDA17238B4Hx.U	◎	440	50 / 60	0.08 / 0.07	29.0 / 27.0	2700 / 3100	210 / 240	5.94 / 6.79	13.5 / 14.5	0.53 / 0.57	53 / 59
SDA17238B48x.U	◎	480	50 / 60	0.07 / 0.07	33.0 / 31.0	2600 / 3000	210 / 240	5.94 / 6.79	13.5 / 14.5	0.53 / 0.57	52 / 58
SDA17238BDHx.U	◎	115	50 / 60	0.25 / 0.26	29.0 / 30.0	2600 / 3000	200 / 230	5.66 / 6.51	12.5 / 14.0	0.49 / 0.55	53 / 59
	◎	230	50 / 60	0.15 / 0.13	31.0 / 29.0	2650 / 3050	200 / 230	5.66 / 6.51	12.5 / 14.0	0.49 / 0.55	53 / 59

Type X could be T (Terminals) or L (Lead Wire) ◎ : Ball ※ : Sleeve

★如果您需要的轉速或電壓或功能不在這份清單上，請與我們業務聯繫 If you need another RPM or Voltage or Functions which one is not in the list, please contact us.