



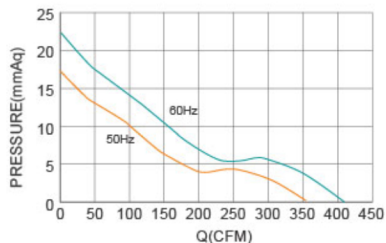
# AC Axial Fan

## SA17689 SK SERIES 176X176X89mm

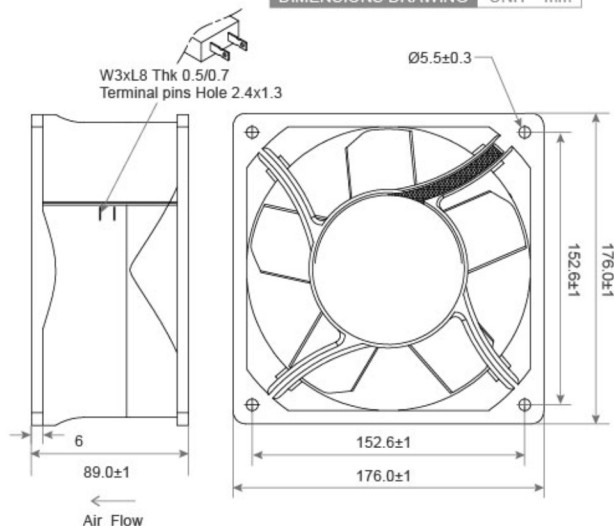


- Frame : Aluminum  
外框材質：鋁框
- Impeller : Thermoplastic PBT UL 94-V0  
扇葉材質：環保防火PBT
- Ingress Protection : Optional IP54 or IP56  
防護等級：可選擇 IP54 或 IP56
- Weight : 2000g  
風扇單體重量：2000克

P&Q Curve At Rated Voltage



DIMENSIONS DRAWING UNIT : mm



Model No.	Bearing Type	Voltage (VAC)	Frequency (Hz)	Current (A)	Power (W)	Speed (RPM)	Air Flow		Air Pressure		Noise (dBA)
							(CFM)	(m <sup>3</sup> /min)	(mmH <sub>2</sub> O)	(Inch H <sub>2</sub> O)	
SA17689B1Hx	◎	115	50 / 60	0.57 / 0.48	50 / 52	2800 / 3250	358 / 415	10.2 / 11.7	17.3 / 22.4	0.68 / 0.88	61 / 64
SA17689B2Hx	◎	230	50 / 60	0.21 / 0.23	43 / 52	2800 / 3250	358 / 415	10.2 / 11.7	17.3 / 22.4	0.68 / 0.88	61 / 64