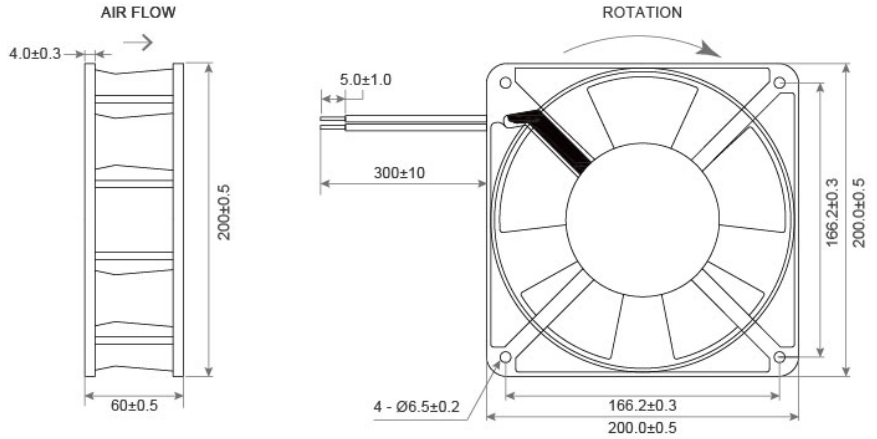




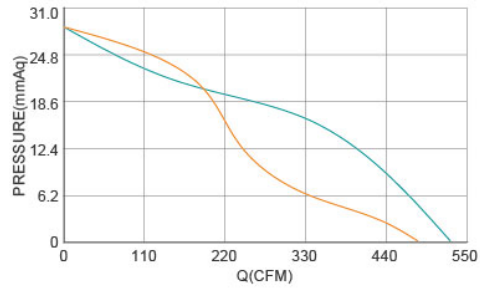
AC Axial Fan SA20060 U SERIES 200X200X60mm

DIMENSIONS DRAWING UNIT : mm



- Frame : Aluminum
外框材質：鋁框
- Impeller : Thermoplastic PBT UL 94-V0
扇葉材質：環保防火PBT
- Ingress Protection : Optional IP55
防護等級：可選擇 IP55
- Weight : 1540g
風扇單體重量：1540克

P&Q Curve At Rated Voltage



Model No.	Bearing Type	Voltage (VAC)	Frequency (Hz)	Current (A)	Power (W)	Speed (RPM)	Air Flow (CFM)	Air Flow (m ³ /min)	Air Pressure (mmH ₂ O)	Air Pressure (Inch H ₂ O)	Noise (dBA)
SA20060B1ML	◎	110-120	50 / 60	0.28 / 0.30	32	2850	480	13.59	30.48	1.20	52
SA20060B1HL	◎	110-120	50 / 60	0.16 / 0.17	35	3200	520	14.72	30.48	1.20	54
SA20060B2ML	◎	220-240	50 / 60	0.28 / 0.30	32	2850	480	13.57	30.48	1.20	52
SA20060B2HL	◎	220-240	50 / 60	0.16 / 0.17	35	3200	520	14.72	30.48	1.20	54
SA20060S1ML	※	110-120	50 / 60	0.28 / 0.30	32	2850	480	13.59	30.48	1.20	52
SA20060S1HL	※	110-120	50 / 60	0.16 / 0.17	35	3200	520	14.72	30.48	1.20	54
SA20060S2ML	※	220-240	50 / 60	0.28 / 0.30	32	2850	480	13.57	30.48	1.20	52
SA20060S2HL	※	220-240	50 / 60	0.16 / 0.17	35	3200	520	14.72	30.48	1.20	54

Type x could be T (Terminals) or L (Lead Wire) ◎ : Ball ※ : Sleeve

★如果您需要的轉速或電壓或功能不在這份清單上，請與我們業務聯繫 If you need another RPM or Voltage or Functions which one is not in the list, please contact us.