

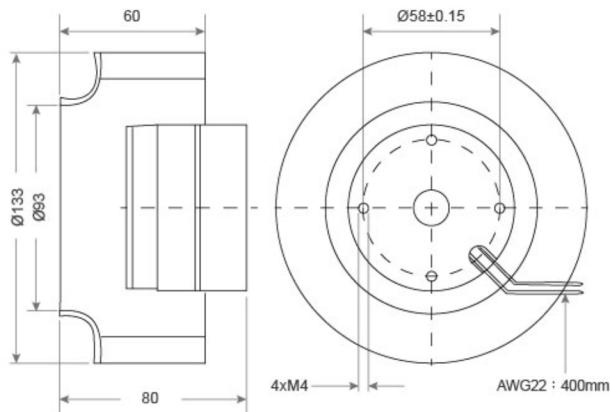
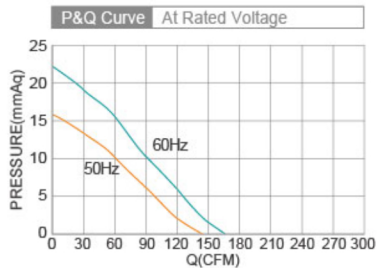


AC Centrifugal Fan SDC13380 SERIES $\phi 133 \times 80 \text{mm}$



- Material : Thermoplastic PBT UL94-V0
材質：環保防火PBT
- Bearing System : Two Ball Bearing
軸承結構：滾珠軸承
- Protection Class : IP54
防護等級：IP54
- Weight : 800g
風扇單體重量：800克

DIMENSIONS DRAWING UNIT : mm



Model No.	Voltage (VAC)	Frequency (Hz)	Current (A)	Power (W)	Speed (RPM)	Air Flow (CFM)	Air Flow (m ³ /min)	Air Pressure (mmH ₂ O)	Air Pressure (Inch H ₂ O)	Noise (dBA)
SDC13380B1HL	115	50 / 60	0.26 / 0.24	26 / 28	2800 / 3200	145 / 165	4.1 / 4.7	15 / 21	0.59 / 0.83	62 / 65
SDC13380B2HL	230	50 / 60	0.10 / 0.12	23 / 27	2800 / 3200	145 / 165	4.1 / 4.7	15 / 21	0.59 / 0.83	62 / 65