

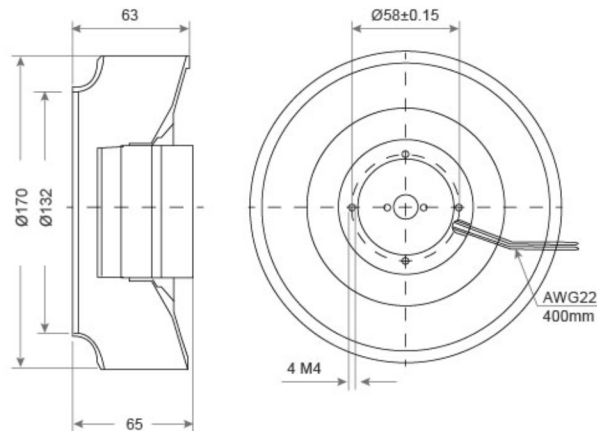
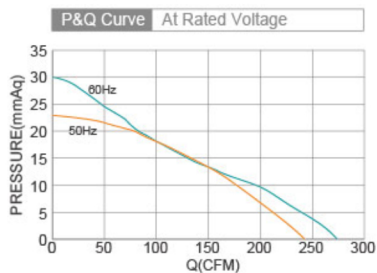


AC Centrifugal Fan SDC17065 SERIES $\phi 170 \times 65 \text{mm}$



- Material : Thermoplastic PBT UL94-V0
材質：環保防火PBT
- Bearing System : Two Ball Bearing
軸承結構：滾珠軸承
- Protection Class : IP54
防護等級：IP54
- Weight : 900g
風扇單體重量：900克

DIMENSIONS DRAWING UNIT : mm



Model No.	Voltage (VAC)	Frequency (Hz)	Current (A)	Power (W)	Speed (RPM)	Air Flow (CFM)	Air Flow (m ³ /min)	Air Pressure (mmH ₂ O)	Air Pressure (Inch H ₂ O)	Noise (dBA)
SDC17065B1HL	115	50 / 60	0.26 / 0.27	27 / 31	2750 / 3100	243 / 276	6.88 / 7.81	20 / 30	0.91 / 1.18	67 / 69
SDC17065B2HL	230	50 / 60	0.10 / 0.13	24 / 30	2750 / 3100	243 / 276	6.88 / 7.81	20 / 30	0.91 / 1.18	67 / 69
SDC17065B3HL	380	50 / 60	0.08 / 0.09	30 / 34	2750 / 3100	243 / 276	6.88 / 7.81	20 / 30	0.91 / 1.18	67 / 69
SDC17065B3HL(3 ϕ)	380	50 / 60	0.05 / 0.05	24 / 31	2700 / 2900	240 / 255	6.79 / 7.22	23 / 28	0.91 / 1.10	67 / 68

★如果您需要的轉速或電壓或功能不在這份清單上，請與我們業務聯繫 If you need another RPM or Voltage or Functions which one is not in the list, please contact us.

★產品詳細數據及功能請參閱承認書 Please see the approval sheet for more information . ★產品規格變更不另行通知 Specifications are subject to change without notice.