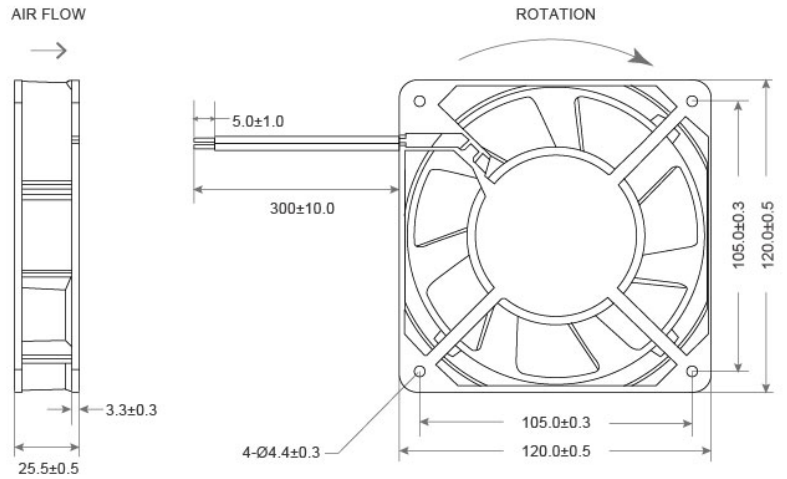


EC Axial Fan TRT1225 SERIES 120X120X25mm

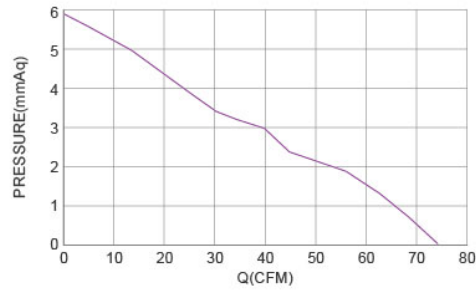


DIMENSIONS DRAWING UNIT : mm



- Frame : Thermoplastic PBT UL94-V0
外框材質：環保防火PBT
- Impeller : Thermoplastic PBT UL94-V0
扇葉材質：環保防火PBT
- Bearing System : ※ Sleeve · ★ WRB · ◎ Two Ball Bearing
軸承結構：※ 含油軸承 · ★ 專利軸承 · ◎ 滾珠軸承
- Unit Weight : 125g
風扇單體重量：125克

P&Q Curve At Rated Voltage



Model No.	Bearing Type	Voltage (VAC)	Frequency (HZ)	Power (W)	Speed (RPM)	Air Flow (CFM)	Air Flow (m ³ /min)	Air Pressure (mmH ₂ O)	Air Pressure (Inch H ₂ O)	Noise (dBA)
TRT1225x11M	※★◎	110(80~120)	45~65	4.20	2800	73.30	2.07	5.90	0.23	43.2
TRT1225x22M	※★◎	220(120~240)	45~65	4.20	2800	73.30	2.07	5.90	0.23	43.2

⊗ Bearing System ※ : Sleeve ★ : WRB ◎ : Ball

★如果您需要的轉速或電壓或功能不在這份清單上，請與我們業務聯繫 If you need another RPM or Voltage or Functions which one is not in the list, please contact us.

★產品詳細數據及功能請參閱承認書 Please see the approval sheet for more information . ★產品規格變更不另行通知 Specifications are subject to change without notice.