

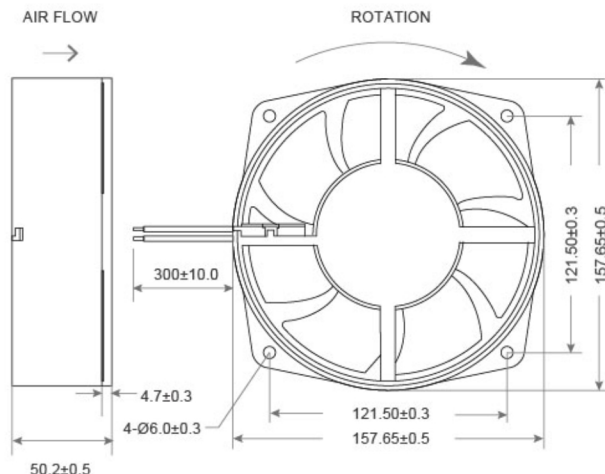
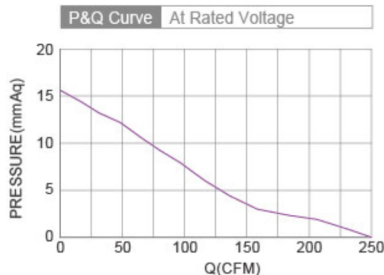


EC Axial Fan TRT16050 SERIES 160X160X50mm



- Material : Thermoplastic PBT UL94-V0
材質：環保防火PBT
- Bearing System : Two Ball Bearing
軸承結構：滾珠軸承
- Weight : 470g
風扇單體重量：470克

DIMENSIONS DRAWING UNIT : mm



Model No.	Bearing Type	Voltage (VAC)	Frequency (HZ)	Power (W)	Speed (RPM)	Air Flow (CFM)	Air Flow (m ³ /min)	Air Pressure (mmH ₂ O)	Air Pressure (Inch H ₂ O)	Noise (dBA)
TRT16050B11M	◎	110(80~120)	45~65	16.0	2800	246.20	6.71	15.32	0.60	52.5
TRT16050B22M	◎	220(120~240)	45~65	16.0	2800	246.20	6.71	15.32	0.60	52.5
TRT16050B38M	◎	380(260~450)	45~65	16.0	2800	246.20	6.71	15.32	0.60	52.5

⊗ : Bearing System ※ : Sleeve ★ : WRB ◎ : Ball

★如果您需要的轉速或電壓或功能不在這份清單上，請與我們業務聯繫 If you need another RPM or Voltage or Functions which one is not in the list, please contact us.

■ F11 ★產品詳細數據及功能請參閱承認書 Please see the approval sheet for more information . ★產品規格變更不另行通知 Specifications are subject to change without notice.