

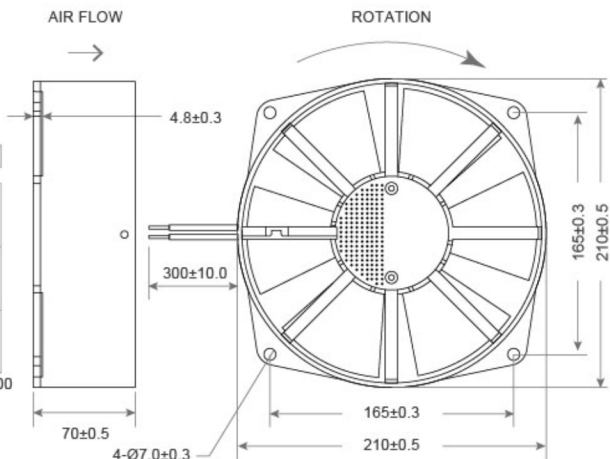
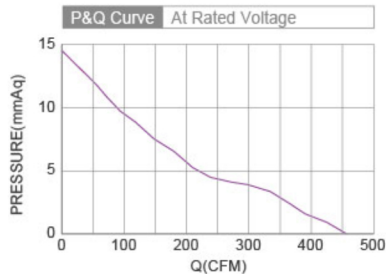


## EC Axial Fan TRT20070 SERIES 200X200X70mm



- Material : Thermoplastic PBT UL94-V0  
材質：環保防火PBT
- Bearing System : Two Ball Bearing  
軸承結構：滾珠軸承
- Weight : 750g  
風扇單體重量：750克

DIMENSIONS DRAWING UNIT : mm



Model No.	Bearing Type	Voltage (VAC)	Frequency (HZ)	Power (W)	Speed (RPM)	Air Flow (CFM)	Air Flow (m <sup>3</sup> /min)	Air Pressure (mmH <sub>2</sub> O)	Air Pressure (Inch H <sub>2</sub> O)	Noise (dBA)
TRT20070Bx11M	◎	110( 80~120)	45~65	28.00	2600	452.47	12.79	14.63	0.58	62.8
TRT20070Bx22M	◎	220(120~240)	45~65	28.00	2600	452.47	12.79	14.63	0.58	62.8