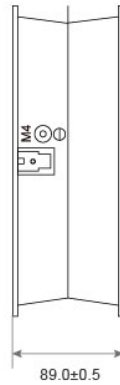
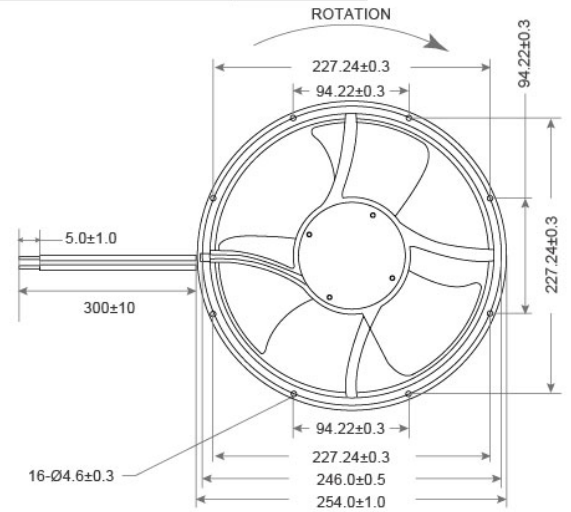


EC Axial Fan TRT25489 SERIES 254X89mm

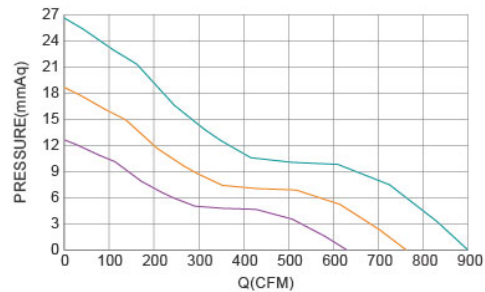


DIMENSIONS DRAWING UNIT : mm



- Frame : Aluminum
外框材質：鋁
- Impeller : Thermoplastic PBT UL94-V0
扇葉材質：環保防火PBT
- Bearing System : Two Ball Bearing
軸承結構：滾珠軸承
- Unit Weight : 2410g
風扇單體重量：2410克

P&Q Curve At Rated Voltage



| Model No. | Bearing Type | Voltage (VAC) | Frequency (HZ) | Power (W) | Speed (RPM) | Air Flow (CFM) | Air Flow (m ³ /min) | Air Pressure (mmH ₂ O) | Air Pressure (Inch H ₂ O) | Noise (dBA) |
|--------------|--------------|---------------|----------------|-----------|-------------|----------------|--------------------------------|-----------------------------------|--------------------------------------|-------------|
| TRT25489x11D | ◎ | 110(80~135) | 45~65 | 28.00 | 1800 | 626.26 | 17.72 | 12.65 | 0.50 | 57.00 |
| TRT25489x11L | ◎ | 110(80~135) | 45~65 | 39.00 | 2200 | 758.11 | 21.45 | 18.54 | 0.73 | 61.20 |
| TRT25489x11M | ◎ | 110(80~135) | 45~65 | 68.00 | 2600 | 899.96 | 25.46 | 25.55 | 1.01 | 65.80 |
| TRT25489x22D | ◎ | 220(180~265) | 45~65 | 28.00 | 1800 | 626.26 | 17.72 | 12.65 | 0.50 | 57.00 |
| TRT25489x22L | ◎ | 220(180~265) | 45~65 | 39.00 | 2200 | 758.11 | 21.45 | 18.54 | 0.73 | 61.20 |
| TRT25489x22M | ◎ | 220(180~265) | 45~65 | 68.00 | 2600 | 899.96 | 25.46 | 25.55 | 1.01 | 65.80 |

⊗ Bearing System ※ Sleeve ★ WRB ◎ Ball

★如果您需要的轉速或電壓或功能不在這份清單上，請與我們業務聯繫 If you need another RPM or Voltage or Functions which one is not in the list, please contact us.

■ F15 ★產品詳細數據及功能請參閱承認書 Please see the approval sheet for more information . ★產品規格變更不另行通知 Specifications are subject to change without notice.