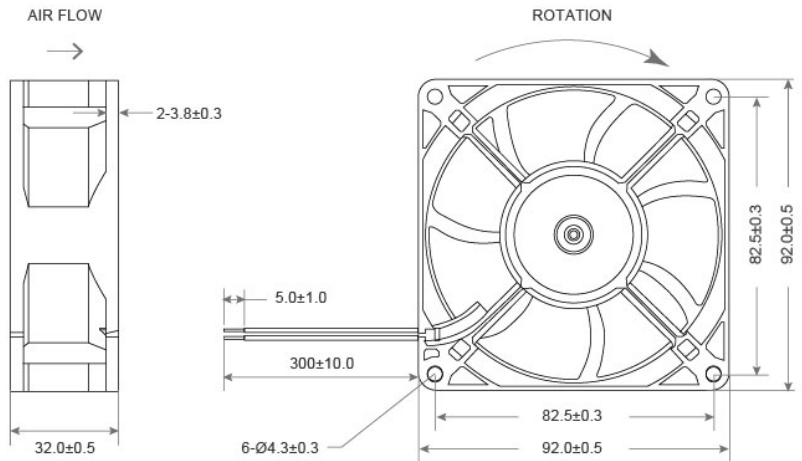


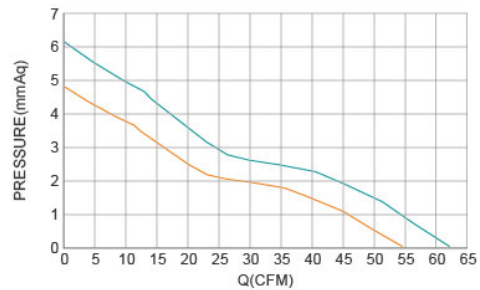
EC Axial Fan TRT9232 SERIES 92X92X32mm

DIMENSIONS DRAWING UNIT : mm



- Frame : Thermoplastic PBT UL94-V0
外框材質：環保防火PBT
- Impeller : Thermoplastic PBT UL94-V0
扇葉材質：環保防火PBT
- Bearing System : ※ Sleeve · ★ WRB · ◎ Two Ball Bearing
軸承結構：※含油軸承 · ★專利軸承 · ◎滾珠軸承
- Unit Weight : 150g
風扇單體重量：150克

P&Q Curve At Rated Voltage



Model No.	Bearing Type	Voltage (VAC)	Frequency (HZ)	Power (W)	Speed (RPM)	Air Flow (CFM)	Air Flow (m ³ /min)	Air Pressure (mmH ₂ O)	Air Pressure (Inch H ₂ O)	Noise (dBA)
TRT9232x11D	※★◎	110(80~120)	45~65	3.60	2800	54.41	1.54	4.76	0.19	39.60
TRT9232x11L	※★◎	110(80~120)	45~65	4.20	3200	61.92	1.75	6.16	0.24	43.20
TRT9232x22D	※★◎	220(120~240)	45~65	3.60	2800	54.41	1.54	4.76	0.19	39.60
TRT9232x22L	※★◎	220(120~240)	45~65	4.20	3200	61.92	1.75	6.16	0.24	43.20

※ Bearing System ※ : Sleeve ★ : WRB ◎ : Ball

★如果您需要的轉速或電壓或功能不在這份清單上，請與我們業務聯繫 If you need another RPM or Voltage or Functions which one is not in the list, please contact us.

★產品詳細數據及功能請參閱承認書 Please see the approval sheet for more information . ★產品規格變更不另行通知 Specifications are subject to change without notice.