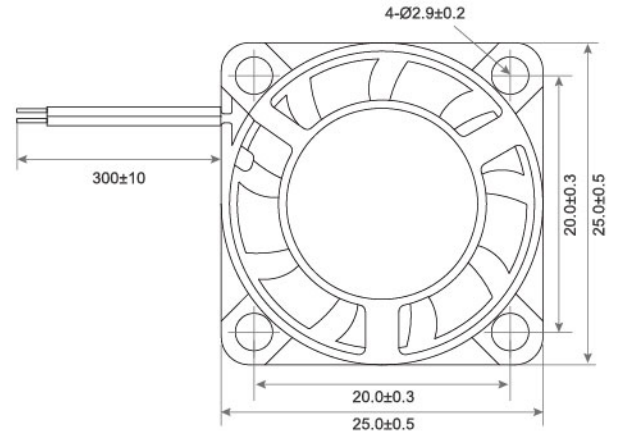


DC Axial Fan TRS2507 U SERIES 25X25X7mm

DIMENSIONS DRAWING UNIT : mm

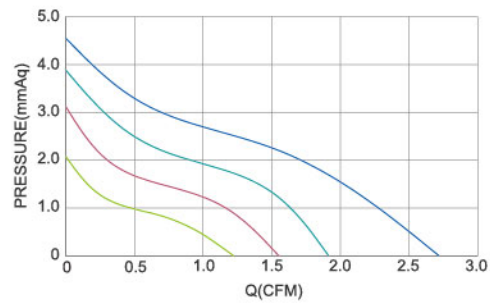


AIR FLOW
→



- Frame : Thermoplastic PBT UL94-V0
外框材質：環保防火PBT
- Impeller : Thermoplastic PBT UL94-V0
扇葉材質：環保防火PBT
- Bearing : ※Sleeve · ★WRB · ◎Two Ball Bearing
軸承：※含油 · ★WRB · ◎滾珠軸承
- Unit Weight : 5g
風扇單體重量：5克

P&Q Curve At Rated Voltage



Model No.	Bearing Type	Voltage (VDC)	Current (A)	Power (W)	Speed (RPM)	Air Flow (CFM)	Air Flow (m ³ /min)	Air Pressure (mmH ₂ O)	Air Pressure (Inch H ₂ O)	Noise (dBA)
TRS2507x05L	※◎★	5 (3.0~6.0)	0.14	0.72	7000	1.22	0.04	2.16	0.085	19.6
TRS2507x05M	※◎★	5 (3.0~6.0)	0.17	0.84	10000	1.55	0.04	3.10	0.122	23.5
TRS2507x05H	※◎★	5 (3.0~6.0)	0.19	0.96	14000	1.90	0.05	3.80	0.150	26.4
TRS2507x05VH	※◎★	5 (3.0~6.0)	0.22	1.08	17000	2.81	0.08	4.50	0.177	31.2
TRS2507x12L	※◎★	12 (8.5~13.5)	0.06	0.72	7000	1.22	0.04	2.16	0.085	19.6
TRS2507x12M	※◎★	12 (8.5~13.5)	0.07	0.84	10000	1.55	0.04	3.10	0.122	23.5
TRS2507x12H	※◎★	12 (8.5~13.5)	0.08	0.96	14000	1.90	0.05	3.80	0.150	26.4
TRS2507x12VH	※◎★	12 (8.5~13.5)	0.09	1.08	17000	2.81	0.08	4.50	0.177	31.2

⊗ Bearing System ※ : Sleeve ★ : WRB ◎ : Ball

★如果您需要的轉速或電壓或功能不在這份清單上，請與我們業務聯繫 Please contact us, if the SPEC you need is not in the list.

★產品詳細數據及功能請參閱承認書 Please see the approval sheet for more information . ★產品規格變更不另行通知 Specifications are subject to change without notice.