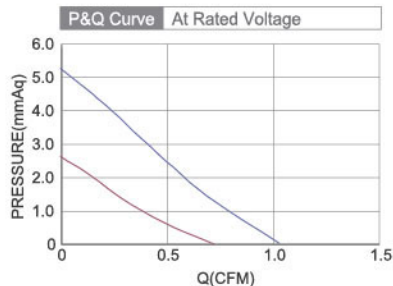




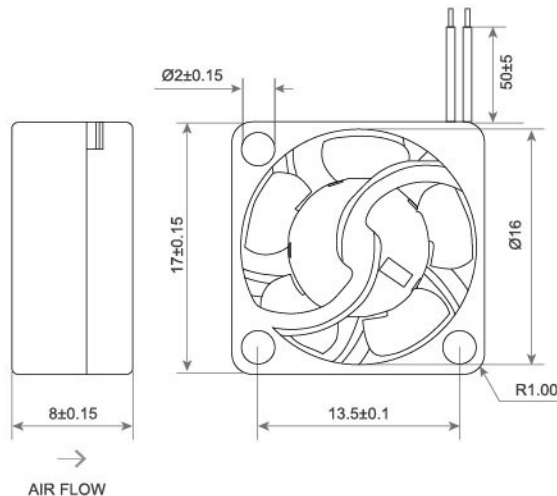
## DC Axial Fan SFA1708 17X17X8mm



- Frame : Thermoplastic PBT UL94-V0  
外框材質：環保防火PBT
- Impeller : Thermoplastic PBT UL94-V0  
扇葉材質：環保防火PBT
- Bearing : ★WRB Bearing  
軸承：★WRB軸承
- Unit Weight : 2.06g  
風扇單體重量：2.06克



DIMENSIONS DRAWING UNIT : mm



Model No.	Bearing Type	Voltage (VDC)	Current (mA)	Power (W)	Speed (RPM)	Air Flow (CFM)	Air Flow (m <sup>3</sup> /min)	Air Pressure (mmH <sub>2</sub> O)	Air Pressure (Inch H <sub>2</sub> O)	Noise (dBA)
SFA1708-3	★	3.3 (2.8~3.6)	50.0	0.17	11000	0.72	0.020	2.63	0.104	16.5
SFA1708-5	★	5.0 (4.5~5.5)	70.0	0.35	16000	1.03	0.029	5.26	0.207	26.8