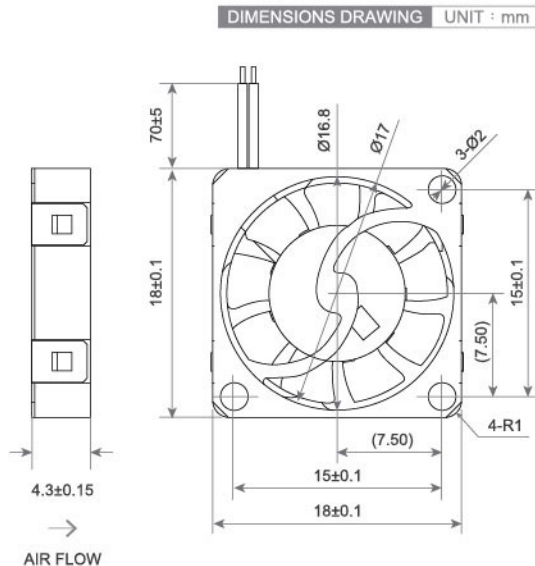
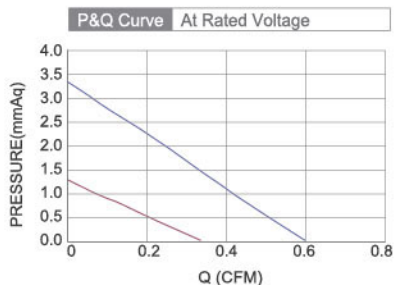


DC Axial Fan SFA1804 18X18X4mm



- Frame : Thermoplastic PBT UL94-V0 & Alumium
外框材質：環保防火PBT及鋁蓋
- Impeller : Thermoplastic PBT UL94-V0
扇葉材質：環保防火PBT
- Bearing : WRB Bearing
軸承：WRB軸承
- Unit Weight : 1.63g
風扇單體重量：1.63克



Model No.	Bearing Type	Voltage (VDC)	Current (mA)	Power (W)	Speed (RPM)	Air Flow (CFM)	Air Flow (m ³ /min)	Air Pressure (mmH ₂ O)	Air Pressure (Inch H ₂ O)	Noise (dBA)
SFA1804-3	★	3.3 (2.8~3.6)	27.0	0.09	7500	0.33	0.009	1.27	0.050	15.9
SFA1804-5	★	5.0 (4.5~5.5)	40.0	0.20	13000	0.58	0.016	3.34	0.132	24.9

⊗ : Bearing System ※ : Sleeve ★ : WRB ⊙ : Ball

★如果您需要的轉速或電壓或功能不在這份清單上，請與我們業務聯繫 Please contact us, if the SPEC you need is not in the list.

★產品詳細數據及功能請參閱承認書 Please see the approval sheet for more information . ★產品規格變更不另行通知 Specifications are subject to change without notice.