

AC Outer Rotor Fan

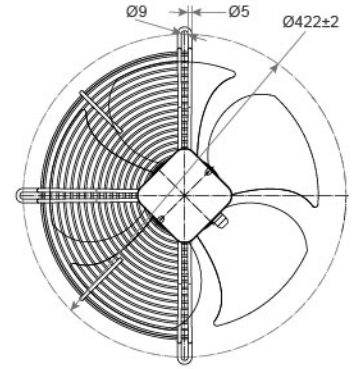
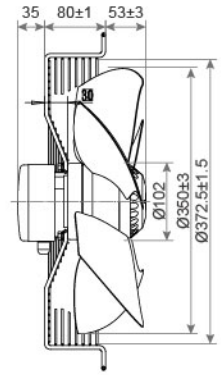
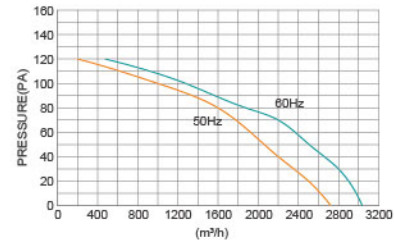
SAA4E350 SERIES Ø350mmX168mm

DIMENSIONS DRAWING UNIT : mm



- Impeller : Cold rolled steel
材質：冷軋鋼板
- Bearing System : Two Ball Bearing
軸承結構：滾珠軸承
- Protection Class : IP54
防護等級：IP54

P&Q Curve At Rated Voltage



Suction
Direction Of Airflow "s"

Model No.	Voltage (VAC)	Frequency (Hz)	Current (A)	Power (W)	Speed (RPM)	Capacitor (µF)	Air Flow (CFM)	Air Flow (m³/h)	Temperature Min / Max(°C)	Noise (dBA)
SAA4E350S-5DM-A2	220 / 230	50 / 60	0.60 / 0.83	135 / 190	1380 / 1550	3.0	1588 / 1765	2700 / 3000	-30°C ~ +60°C	58 / 60
SAA6E350S-5DM-A2	220 / 230	50 / 60	0.40 / 0.37	75 / 83	950 / 1100	3.0	920 / 1060	1560 / 1800	-30°C ~ +60°C	53 / 54
SAA6D350S-5DM-A3	380 / 400	50 / 60	0.30 / 0.40	135 / 170	1360 / 1500	-	1588 / 1765	2700 / 3000	30°C ~ +60°C	58 / 60
SAA6D350S-5DM-A3	380 / 400	50 / 60	0.29 / 0.20	70 / 80	920 / 1050	-	920 / 1060	1560 / 1800	-30°C ~ +60°C	53 / 54