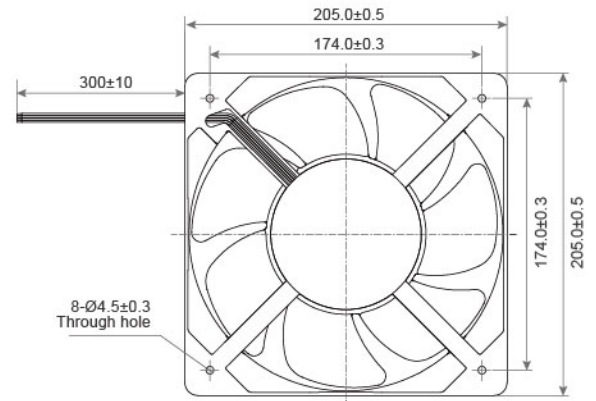
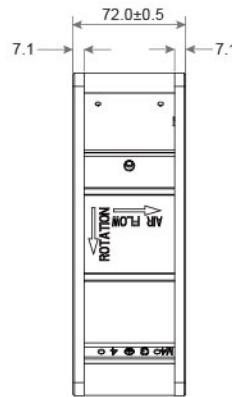


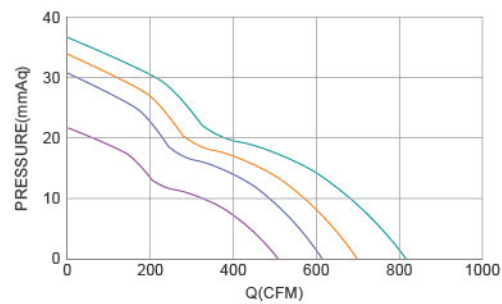
# DC Axial Fan TRF20572 SERIES 205X205X72mm

DIMENSIONS DRAWING UNIT : mm



- Frame : Aluminum  
外框材質：鋁框
- Impeller : Thermoplastic PBT UL94-V0  
扇葉材質：環保防火PBT
- Bearing : ※Sleeve · ★WRB · ◎Two Ball Bearing  
軸承：※含油 · ★WRB · ◎滾珠軸承
- Unit Weight : 2100g  
風扇單體重量：2100克

P&Q Curve At Rated Voltage



Model No.	Bearing Type	Voltage (VDC)	Current (A)	Power (W)	Speed (RPM)	Air Flow (CFM)	Air Flow (m <sup>3</sup> /min)	Air Pressure (mmH <sub>2</sub> O)	Air Pressure (Inch H <sub>2</sub> O)	Noise (dBA)
TRF20572x12L	※◎★	12 (8.5~13.5)	1.50	36.0	2500	505.11	14.34	21.14	0.83	57.0
TRF20572x24L	※◎★	24 (14.5~27.5)	1.50	36.0	2500	505.11	14.34	21.14	0.83	57.0
TRF20572x24M	※◎★	24 (14.5~27.5)	2.50	60.0	3000	609.61	17.31	30.13	1.18	62.0
TRF20572x24H	※◎★	24 (14.5~27.5)	4.20	100.8	3500	693.71	19.70	33.10	1.30	67.0
TRF20572x24VH	※◎★	24 (14.5~27.5)	6.60	158.4	4100	807.74	22.94	36.80	1.45	70.0
TRF20572x48L	※◎★	48 (29.0~60.0)	0.75	36.0	2500	505.11	14.34	21.14	0.83	57.0
TRF20572x48M	※◎★	48 (29.0~60.0)	1.25	60.0	3000	609.61	17.31	30.13	1.18	62.0
TRF20572x48H	※◎★	48 (29.0~60.0)	2.10	100.8	3500	693.71	19.70	33.10	1.30	67.0
TRF20572x48VH	※◎★	48 (29.0~60.0)	3.30	158.4	4100	807.74	22.94	36.80	1.45	70.0

◎ Bearing System ※ : Sleeve ★ : WRB ◎ : Ball

★如果您需要的轉速或電壓或功能不在這份清單上，請與我們業務聯繫 Please contact us, if the SPEC you need is not in the list.

★產品詳細數據及功能請參閱承認書 Please see the approval sheet for more information . ★產品規格變更不另行通知 Specifications are subject to change without notice. A138