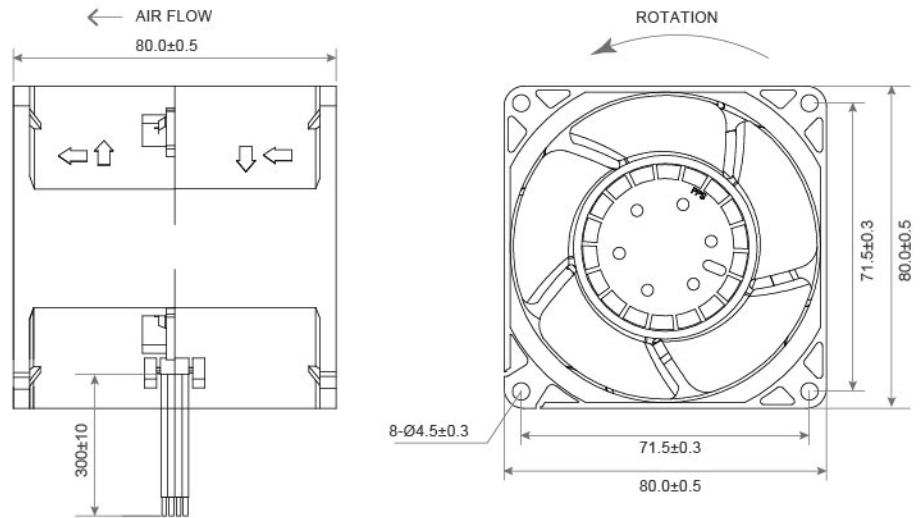


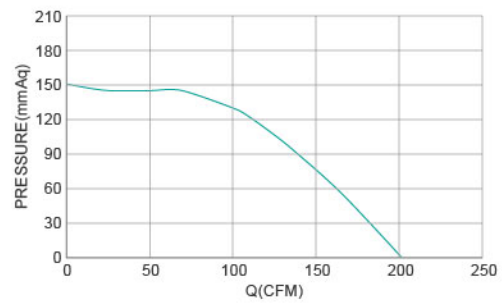
DC Axial Fan TRF8080 SERIES 80X80X80mm

DIMENSIONS DRAWING UNIT : mm



- Frame : Thermoplastic PBT UL94-V0
外框材質：環保防火PBT
- Impeller : Thermoplastic PBT UL94-V0
扇葉材質：環保防火PBT
- Bearing : ※Sleeve · ★WRB · ◎Two Ball Bearing
軸承：※含油 · ★WRB · ◎滾珠軸承
- Unit Weight : 452g
風扇單體重量：410克

P&Q Curve At Rated Voltage



| Model No. | Bearing Type | Voltage (VDC) | Current (A) | Power (W) | Speed (RPM) | Air Flow (CFM) | Air Flow (m ³ /min) | Air Pressure (mmH ₂ O) | Air Pressure (Inch H ₂ O) | Noise (dBA) |
|--------------|--------------|-----------------|-------------|-----------|-------------|----------------|--------------------------------|-----------------------------------|--------------------------------------|-------------|
| TRF8080x12VH | ※★◎ | 12 (10.8-13.2) | 11.00 | 132.0 | 15000/13500 | 204.24 | 5.78 | 153.4 | 5.98 | 76.0 |
| TRF8080x24VH | ※★◎ | 24 (18.0-26.4) | 5.78 | 138.6 | 15000/13500 | 204.24 | 5.78 | 153.4 | 5.98 | 76.0 |
| TRF8080x48VH | ※★◎ | 48 (36.0-56.0) | 3.05 | 146.4 | 15000/13500 | 204.24 | 5.78 | 153.4 | 5.98 | 76.0 |