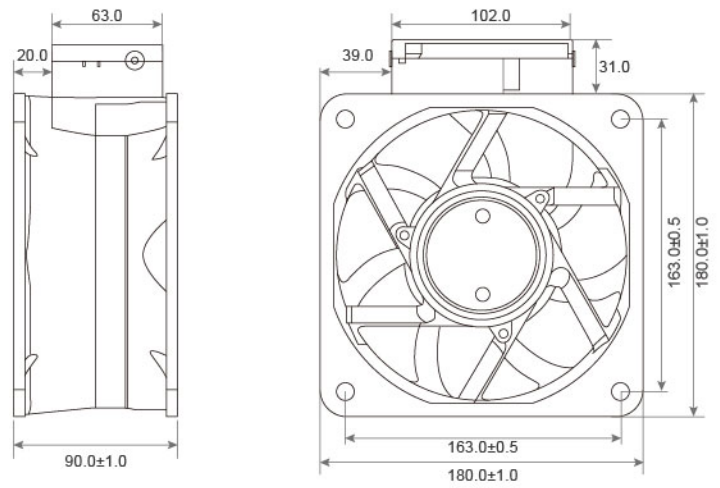


AC Axial Fan SA18090 SERIES 180X180X90mm

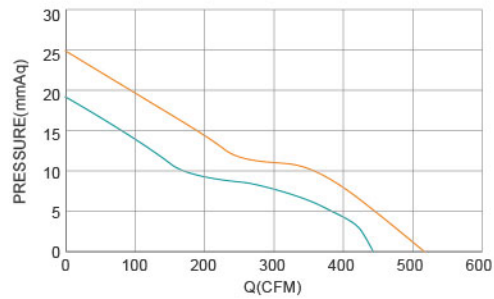


DIMENSIONS DRAWING UNIT : mm



- Frame : Aluminum
外框材質：鋁框
- Impeller : Thermoplastic PBT UL 94-V0
扇葉材質：環保防火PBT
- Ingress Protection : Optional IP55
防護等級：可選擇 IP55
- Weight : 2138g
風扇單體重量：2138克

P&Q Curve At Rated Voltage



Model No.	Bearing Type	Voltage (VAC)	Frequency (Hz)	Current (A)	Power (W)	Speed (RPM)	Air Flow		Air Pressure		Noise (dBA)
							(CFM)	(m ³ /min)	(mmH ₂ O)	(Inch H ₂ O)	
SA18090B1ML	◎	110-120	50 / 60	2.0	79.2	3000	444.0 / 519.0	12.57 / 14.69	19.0 / 25.0	0.75 / 0.98	61.2
SA18090B2ML	◎	220-240	50 / 60	1.0	79.2	3000	444.0 / 519.0	12.57 / 14.69	19.0 / 25.0	0.75 / 0.98	61.2