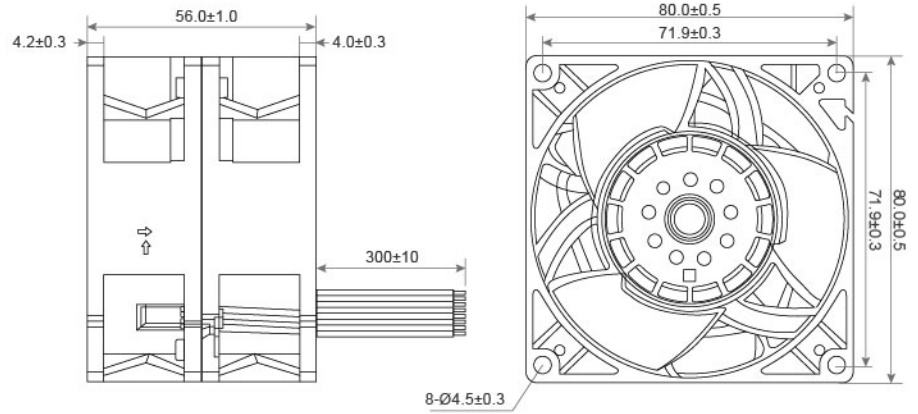


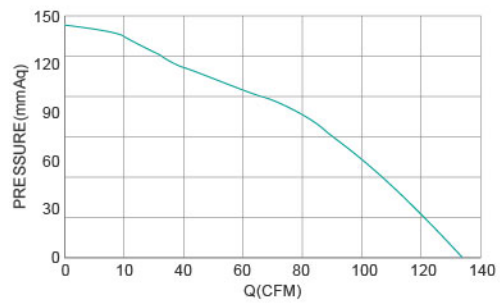
# DC Axial Fan TRF8056 SERIES 80X80X56mm

DIMENSIONS DRAWING UNIT : mm



- Frame : Thermoplastic PBT UL94-V0  
外框材質：環保防火PBT
- Impeller : Thermoplastic PBT UL94-V0  
扇葉材質：環保防火PBT
- Bearing : ※ Sleeve · ★ WRB · ◎ Two Ball Bearing  
軸承：※ 含油 · ★ WRB · ◎ 滾珠軸承
- Unit Weight : 328g  
風扇單體重量：328克

P&Q Curve At Rated Voltage



Model No.	Bearing Type	Voltage (VDC)	Current (A)	Power (W)	Speed (RPM)	Air Flow (CFM)	Air Flow (m <sup>3</sup> /min)	Air Pressure (mmH <sub>2</sub> O)	Air Pressure (Inch H <sub>2</sub> O)	Noise (dBA)
TRF8056x12UH	※★◎	12 (8.0-13.2)	4.10	49.2	15300/14500	122.1	3.47	5.67	144.07	78.0