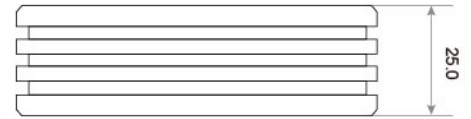
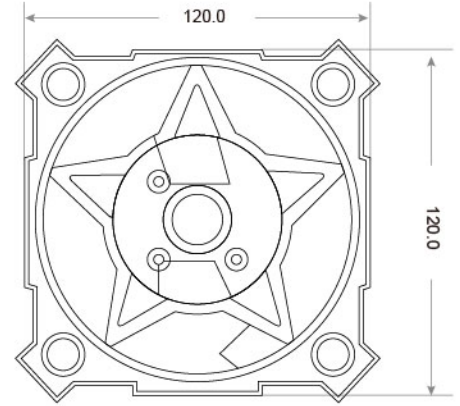


DC METAL FRAME FAN
TRS12025 E SERIES 120X120X25mm



- Frame : Thermoplastic Aluminum alloy
外框材質：環保防火 鋁合金
- Impeller : Thermoplastic PBT UL94-V0
扇葉材質：環保防火PBT
- Bearing System : Sleeve Bearing/WRB Bearing/Two Ball Bearing
軸承結構：※含油軸承/★專利軸承/◎滾珠軸承
- Unit Weight : 205g
風扇單體重量：205克

Model No.	Bearing Type	Voltage (VDC)	Current (A)	Power (W)	Speed (RPM)	Air Flow		Air Pressure		Noise (dBA)
						(CFM)	(m ³ /min)	(mmH ₂ O)	(Inch H ₂ O)	
TRS1225x12M	※★◎	12	0.60	7.20	2500	57.29	1.622	13.95	0.549	45.0
TRS1225x12H	※★◎	12	0.80	9.60	3000	68.14	1.929	17.74	0.698	49.6
TRS1225x12VH	※★◎	12	1.20	14.40	3500	69.69	1.973	21.18	0.833	53.5
TRS1225x24M	※★◎	24	0.30	7.20	2500	57.29	1.622	13.95	0.549	45.0
TRS1225x24H	※★◎	24	0.40	9.60	3000	68.14	1.929	17.74	0.698	49.6
TRS1225x24VH	※★◎	24	0.60	14.40	3500	69.69	1.973	21.18	0.833	53.5
TRS1225x48M	※★◎	48	0.15	7.20	2500	57.29	1.622	13.95	0.549	45.0
TRS1225x48H	※★◎	48	0.20	9.60	3000	68.14	1.929	17.74	0.698	49.6
TRS1225x48VH	※★◎	48	0.32	15.36	3500	69.69	1.973	21.18	0.833	53.5

★產品詳細數據及功能請參閱承認書 Product have a detail in the approval sheet.
★產品規格變更不另行通知 Specifications are subject to change without notice.