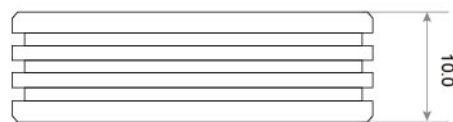
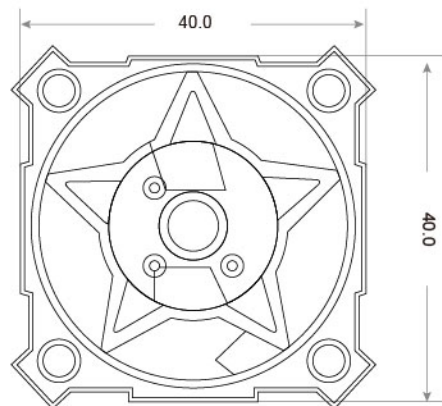


# DC METAL FRAME FAN TRS4010 E SERIES 40X40X10mm



- Frame : Thermoplastic Aluminum alloy  
外框材質：環保防火 鋁合金
- Impeller : Thermoplastic PBT UL94-V0  
扇葉材質：環保防火PBT
- Bearing System : Sleeve Bearing/WRB Bearing/Two Ball Bearing  
軸承結構：※含油軸承/★專利軸承/◎滾珠軸承
- Unit Weight : 15g  
風扇單體重量：15克

Model No.	Bearing Type	Voltage (VDC)	Current (A)	Power (W)	Speed (RPM)	Air Flow (CFM)	Air Flow (m <sup>3</sup> /min)	Air Pressure (mmH <sub>2</sub> O)	Air Pressure (Inch H <sub>2</sub> O)	Noise (dBA)
TRS4010x05D	※★◎	5 (3.5~6.8)	0.06	0.30	3500	3.20	0.09	2.17	0.09	15.6
TRS4010x05L	※★◎	5 (3.5~6.8)	0.09	0.45	5500	5.07	0.14	3.42	0.14	24.5
TRS4010x05M	※★◎	5 (3.5~6.8)	0.12	0.60	6500	7.24	0.21	4.70	0.18	28.6
TRS4010x05H	※★◎	5 (3.5~6.8)	0.15	0.75	7500	10.22	0.29	5.76	0.23	30.5
TRS4010x12D	※★◎	12 (6.0~13.5)	0.04	0.48	3500	3.20	0.09	2.17	0.09	15.6
TRS4010x12L	※★◎	12 (6.0~13.5)	0.10	1.20	6000	5.10	0.15	3.50	0.15	25.0
TRS4010x12M	※★◎	12 (6.0~13.5)	0.12	1.44	7500	10.22	0.29	5.76	0.23	30.5
TRS4010x12H	※★◎	12 (6.0~13.5)	0.15	1.80	8000	11.29	0.32	6.49	0.26	33.4
TRS4010x24D	※★◎	24 (18.0~26.5)	0.03	0.72	3500	3.20	0.09	2.17	0.09	15.6
TRS4010x24H	※★◎	24 (18.0~26.5)	0.06	1.44	7500	10.22	0.29	5.76	0.23	30.5

★產品詳細數據及功能請參閱承認書 Product have a detail in the approval sheet.  
★產品規格變更不另行通知 Specifications are subject to change without notice.