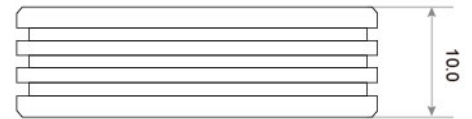
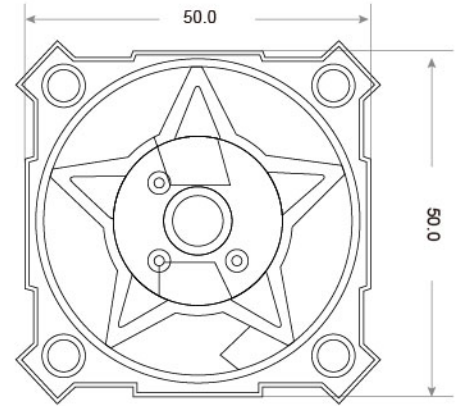


DC METAL FRAME FAN TRS5010 E SERIES 50X50X10mm



- Frame : Thermoplastic Aluminum alloy
外框材質：環保防火 鋁合金
- Impeller : Thermoplastic PBT UL94-V0
扇葉材質：環保防火PBT
- Bearing System : Sleeve Bearing/WRB Bearing/Two Ball Bearing
軸承結構：※含油軸承/★專利軸承/◎滾珠軸承
- Unit Weight : 14g
風扇單體重量：14克

Model No.	Bearing Type	Voltage (VDC)	Current (A)	Power (W)	Speed (RPM)	Air Flow (CFM)	(m ³ /min)	Air Pressure (mmH ₂ O)	(Inch H ₂ O)	Noise (dBA)
TRS5010x05D	※★◎	5 (3.5~6.8)	0.05	0.25	2500	1.34	0.037	1.310	0.051	18.4
TRS5010x05L	※★◎	5 (3.5~6.8)	0.06	0.35	3000	2.25	0.063	1.560	0.061	21.0
TRS5010x05M	※★◎	5 (3.5~6.8)	0.12	0.60	3500	3.49	0.098	1.950	0.076	22.6
TRS5010x05H	※★◎	5 (3.5~6.8)	0.16	0.80	4000	4.73	0.133	2.230	0.087	25.1
TRS5010x05VH	※★◎	5 (3.5~6.8)	0.26	1.30	4500	6.45	0.182	2.560	0.100	28.1
TRS5010x05SH	※★◎	5 (3.5~6.8)	0.37	1.85	5000	8.64	0.244	2.830	0.111	32.1
TRS5010x12D	※★◎	12 (6.0~13.5)	0.02	0.24	2500	1.34	0.037	1.310	0.051	18.4
TRS5010x12L	※★◎	12 (6.0~13.5)	0.03	0.39	3000	2.25	0.063	1.560	0.061	21.0
TRS5010x12M	※★◎	12 (6.0~13.5)	0.05	0.60	3500	3.49	0.098	1.950	0.076	22.6
TRS5010x12H	※★◎	12 (6.0~13.5)	0.07	0.86	4000	4.73	0.133	2.230	0.087	25.1
TRS5010x12VH	※★◎	12 (6.0~13.5)	0.11	1.32	4500	6.45	0.182	2.560	0.100	28.1
TRS5010x12SH	※★◎	12 (6.0~13.5)	0.16	1.92	5000	8.64	0.244	2.830	0.111	32.1

★產品詳細數據及功能請參閱承認書 Product have a detail in the approval sheet.
★產品規格變更不另行通知 Specifications are subject to change without notice.

⊗ Bearing System ※ : Sleeve ★ : WRB Bearing ◎ : Ball