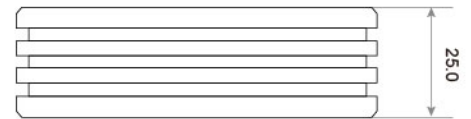
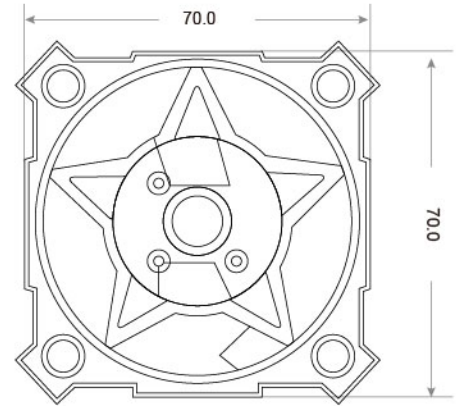


DC METAL FRAME FAN TRS7025 E SERIES 70X70X25mm



- Frame : Thermoplastic Aluminum alloy
外框材質：環保防火 鋁合金
- Impeller : Thermoplastic PBT UL94-V0
扇葉材質：環保防火PBT
- Bearing System : Sleeve Bearing/WRB Bearing/Two Ball Bearing
軸承結構：※含油軸承/★專利軸承/◎滾珠軸承
- Unit Weight : 68g
風扇單體重量：68克

Model No.	Bearing Type	Voltage (VDC)	Current (A)	Power (W)	Speed (RPM)	Air Flow (CFM)	Air Flow (m ³ /min)	Air Pressure (mmH ₂ O)	Air Pressure (Inch H ₂ O)	Noise (dBA)
TRS7025x12L	※★◎	12 (3.5~6.8)	0.10	1.20	3000	22.71	0.64	3.49	0.14	34.0
TRS7025x12M	※★◎	12 (3.5~6.8)	0.15	1.80	3500	25.21	0.71	4.52	0.18	37.8
TRS7025x12H	※★◎	12 (6.0~13.5)	0.16	1.92	4000	32.64	0.93	6.07	0.24	41.9
TRS7025x12VH	※★◎	12 (6.0~13.5)	0.27	3.24	4900	44.37	1.26	11.24	0.44	45.6
TRS7025x24L	※★◎	24 (6.0~13.5)	0.07	1.68	3000	22.71	0.64	3.49	0.14	34.0
TRS7025x24M	※★◎	24 (18.0~26.5)	0.09	2.16	3500	25.21	0.71	4.52	0.18	37.8
TRS7025x24H	※★◎	24 (18.0~26.5)	0.11	2.64	4000	32.64	0.93	6.07	0.24	41.9
TRS7025x24VH	※★◎	24 (18.0~26.5)	0.17	3.84	4900	44.37	1.26	11.24	0.44	45.6

★產品詳細數據及功能請參閱承認書 Product have a detail in the approval sheet.
★產品規格變更不另行通知 Specifications are subject to change without notice.