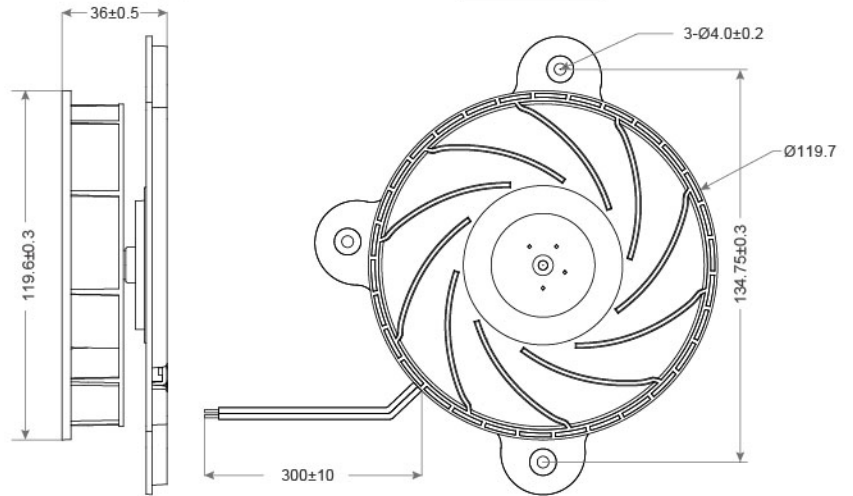


DC Backward Centrifugal Fan TRC12036 N SERIES Ø120X36mm

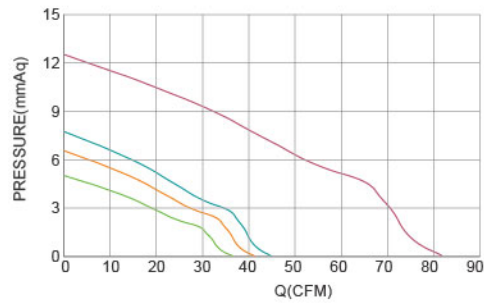


DIMENSIONS DRAWING UNIT : mm



- Frame : Thermoplastic PBT UL94-V0
外框材質：環保防火PBT
- Impeller : Thermoplastic PBT UL94-V0
扇葉材質：環保防火PBT
- Bearing : ◎Two Ball Bearing
軸承：◎滾珠軸承
- Unit Weight : 140.5g
風扇單體重量：140.5克

P&Q Curve At Rated Voltage



Model No.	Bearing Type	Voltage (VDC)	Current (A)	Power (W)	Speed (RPM)	Air Flow (CFM)	Air Flow (m ³ /min)	Air Pressure (mmH ₂ O)	Air Pressure (Inch H ₂ O)	Noise (dBA)
TRC12036x12D	◎	12 (7.0~13.2)	0.15	1.80	1600	36.36	1.03	5.10	0.20	32.0
TRC12036x12L	◎	12 (7.0~13.2)	0.21	2.52	1830	41.65	1.18	6.53	0.26	36.0
TRC12036x12M	◎	12 (7.0~13.2)	0.24	2.88	1950	44.48	1.26	7.75	0.31	38.0
TRC12036x12H	◎	12 (7.0~13.2)	1.27	15.24	3600	81.81	2.32	12.49	0.49	66.2