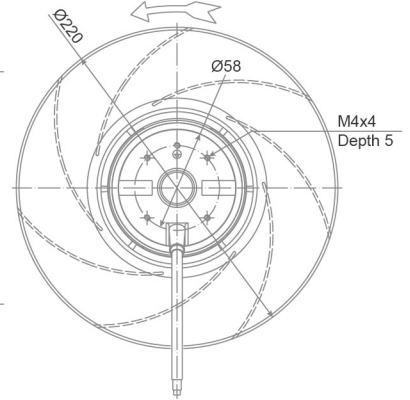
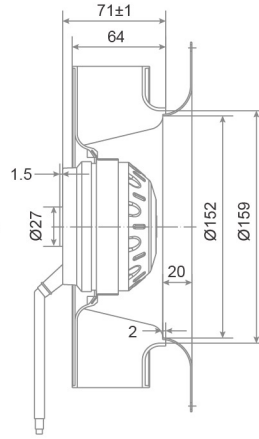
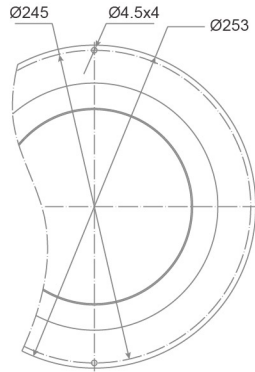


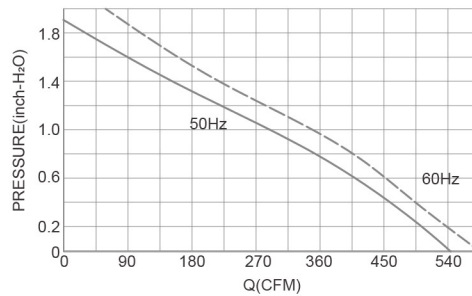
# AC Centrifugal Fan SDC22064 AF SERIES $\phi 220 \times 64 \text{mm}$

DIMENSIONS DRAWING UNIT : mm



- Material : Plastic PA66  
材質：塑料PA66
- Bearing System : Two Ball Bearing  
軸承結構：滾珠軸承
- Protection Class : IP44  
防護等級：IP44

P&Q Curve At Rated Voltage



Model No.	Voltage (VAC)	Frequency (HZ)	Current (A)	Power (W)	Speed (RPM)	Capacitor ( $\mu\text{F}$ )	Air Flow (CFM)	Air Flow ( $\text{m}^3/\text{min}$ )	Temperature Min / Max( $^{\circ}\text{C}$ )	Noise (dBA)
SDC22064B2ML	220 / 230	50 / 60	0.23 / 0.19	40 / 41	1420 / 1650	1.5	323 / 359	9.1 / 10.2	-30 $^{\circ}\text{C}$ ~ +60 $^{\circ}\text{C}$	52 / 58
SDC22064B2HL	220 / 230	50 / 60	0.41 / 0.46	90 / 100	2500 / 2700	2.5	535 / 570	15.1 / 16.1	-30 $^{\circ}\text{C}$ ~ +60 $^{\circ}\text{C}$	70 / 73
SDC22064B2HL.T	220 / 230	50	0.44	95	2500	2.5	470	800	-30 $^{\circ}\text{C}$ ~ +60 $^{\circ}\text{C}$	70
SDC22064B2ML.T	220 / 230	50	0.40	90	2300	2.5	441	750	-30 $^{\circ}\text{C}$ ~ +60 $^{\circ}\text{C}$	67
SDC22064B2DL.T	220 / 230	50	0.40	88	2000	2.5	394	670	-30 $^{\circ}\text{C}$ ~ +60 $^{\circ}\text{C}$	64
SDC22064B3HL	380 / 400	50 / 60	0.08 / 0.10	38 / 41	1400 / 1650	-	323 / 359	9.1 / 10.2	-30 $^{\circ}\text{C}$ ~ +60 $^{\circ}\text{C}$	52 / 58
SDC22064B3HL	380 / 400	50 / 60	0.17 / 0.20	85 / 100	2500 / 2700	-	535 / 570	15.1 / 16.1	-30 $^{\circ}\text{C}$ ~ +60 $^{\circ}\text{C}$	70 / 73