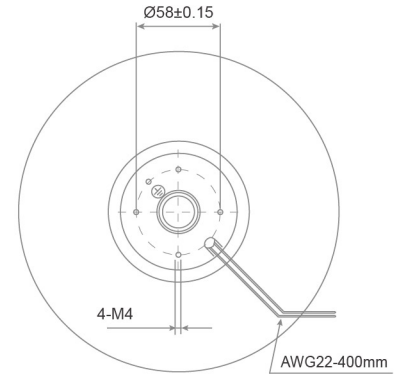
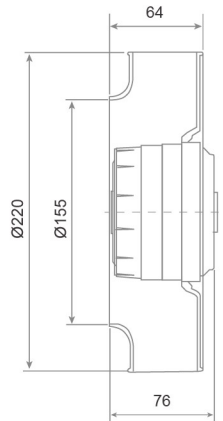


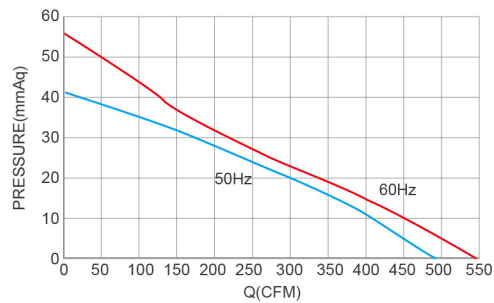
# AC Centrifugal Fan SDC SERIES $\phi 220 \times 76 \text{mm}$

DIMENSIONS DRAWING UNIT : mm



- Material : Plastic  
材質：塑料
- Bearing System : Two Ball Bearing  
軸承結構：滾珠軸承
- Protection Class : IP54  
防護等級：IP54
- Weight : 1980g  
風扇單體重量：1980克

P&Q Curve At Rated Voltage



Model No.	Bearing Type	Voltage (VAC)	Frequency (Hz)	Current (A)	Power (W)	Speed (RPM)	Air Flow (CFM)	Air Flow (m <sup>3</sup> /min)	Air Pressure (mmH <sub>2</sub> O)	Air Pressure (Inch H <sub>2</sub> O)	Noise (dBA)
SDC22076B1HL	◎	115	50 / 60	0.70 / 1.00	82 / 115	2650/2950	490 / 550	13.87 / 15.57	40 / 45	1.58 / 2.17	75 / 78
SDC22076B2HL	◎	230	50 / 60	0.35 / 0.50	82 / 115	2650/2950	490 / 550	13.87 / 15.57	40 / 45	1.58 / 2.17	75 / 78

⊗ Bearing System ※ : Sleeve ★ : WRB Bearing ◎ : Ball

★如果您需要的轉速或電壓或功能不在這份清單上，請與我們業務聯繫 If you need another RPM or Voltage or Functions which one is not in the list, please contact us.

★產品詳細數據及功能請參閱承認書 Please see the approval sheet for more information . ★產品規格變更不另行通知 Specifications are subject to change without notice.