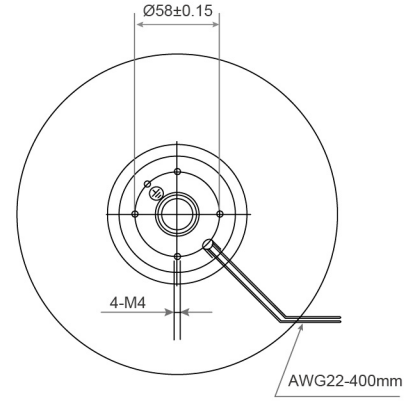
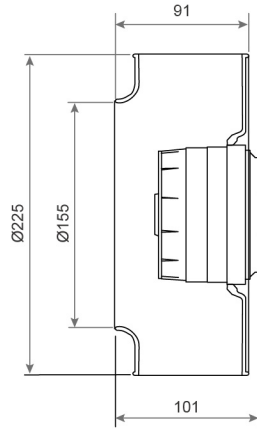


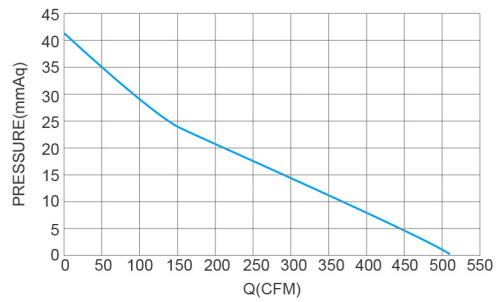
DC Centrifugal Fan
TRC225101 SERIES Ø225X101mm

DIMENSIONS DRAWING UNIT : mm



- Material : Plastic PA66
材質：塑料PA66
- Bearing System : Two Ball Bearing
軸承結構：滾珠軸承
- Protection Class : IP54 or IP56
防護等級：IP54 或 IP56

P&Q Curve At Rated Voltage



Model No.	Bearing Type	Voltage (VDC)	Current (A)	Power (W)	Speed (RPM)	Air Flow (CFM)	Air Flow (m ³ /min)	Air Pressure (mmH ₂ O)	Air Pressure (Inch H ₂ O)	Noise (dBA)	Weight (g)
TRC225101B48H	◎	48	1.8	86.4	2200	510	14.43	40.4	1.59	72	1675

⊗ : Bearing System ※ : Sleeve ★ : WRB Bearing ◎ : Ball

★如果您需要的轉速或電壓或功能不在這份清單上，請與我們業務聯繫 If you need another RPM or Voltage or Functions which one is not in the list, please contact us.

★產品詳細數據及功能請參閱承認書 Please see the approval sheet for more information . ★產品規格變更不另行通知 Specifications are subject to change without notice.