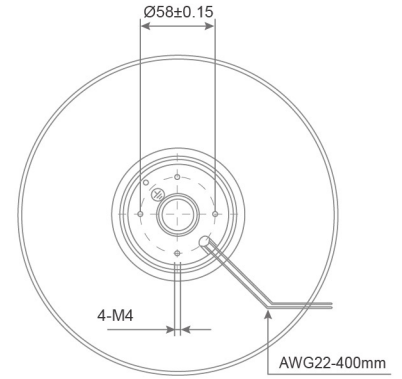
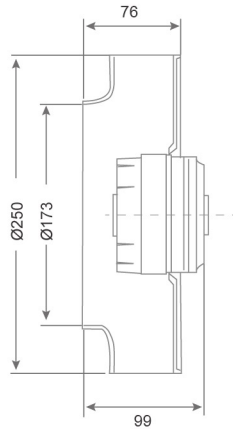


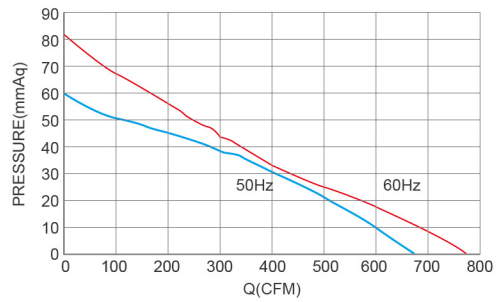
AC Centrifugal Fan SDC25099 SERIES $\varnothing 250 \times 99 \text{mm}$

DIMENSIONS DRAWING UNIT : mm



- Material : Plastic
材質：塑料
- Bearing System : Two Ball Bearing
軸承結構：滾珠軸承
- Protection Class : IP54
防護等級：IP54
- Weight : 2650g
風扇單體重量：2650克

P&Q Curve At Rated Voltage



| Model No. | Voltage (VAC) | Frequency (Hz) | Current (A) | Power (W) | Speed (RPM) | Air Flow (CFM) | Air Flow (m ³ /min) | Air Pressure (mmH ₂ O) | Air Pressure (Inch H ₂ O) | Noise (dBA) |
|--------------|---------------|----------------|-------------|-----------|-------------|----------------|--------------------------------|-----------------------------------|--------------------------------------|-------------|
| SDC25099B2HL | 230 | 50 / 60 | 0.64 / 0.83 | 135 / 190 | 2800 / 3200 | 677 / 776 | 19.2 / 22.0 | 59 / 82 | 2.32 / 3.23 | 77 / 79 |

⊗ Bearing System ※ : Sleeve ★ : WRB Bearing ◎ : Ball

★如果您需要的轉速或電壓或功能不在這份清單上，請與我們業務聯繫 If you need another RPM or Voltage or Functions which one is not in the list, please contact us.