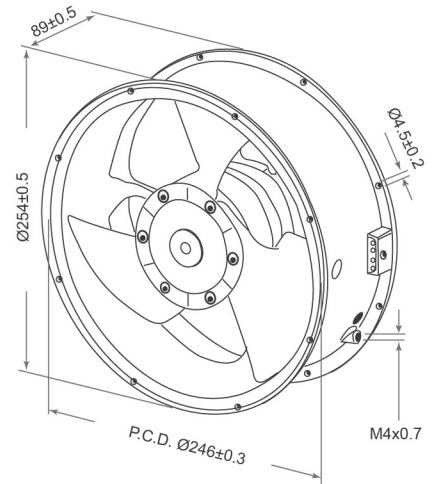
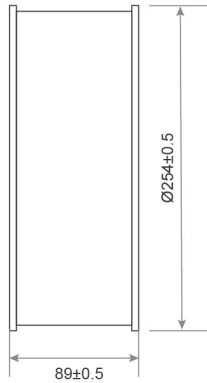


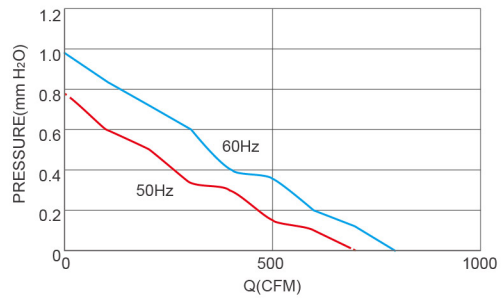
# AC Axial Fan SDA25489 SERIES Ø254X89mm

DIMENSIONS DRAWING UNIT : mm



- Frame : Aluminum Housing  
外框材質：鋁框
- Impeller : Steel  
扇葉材質：金屬扇葉
- Ingress Protection : Optional IP54 or IP56 or IP68  
防護等級：可選擇 IP54或IP56或IP68
- Weight : 2750g  
風扇單體重量：2750克

P&Q Curve At Rated Voltage



Model No.	Bearing Type	Voltage (VAC)	Frequency (Hz)	Current (A)	Power (W)	Speed (RPM)	Air Flow (CFM)	Air Flow (m <sup>3</sup> /min)	Air Pressure (mmH <sub>2</sub> O)	Air Pressure (Inch H <sub>2</sub> O)	Noise (dBA)
SDA25489B1Hx.U	◎	115	50/60	0.59 / 0.86	66 / 95	2800 / 3200	740 / 860	66 / 68	22.5 / 21.5	0.89 / 0.85	66 / 68
SDA25489B2Hx.U	◎	230	50/60	0.28 / 0.43	66 / 95	2800 / 3200	740 / 860	66 / 68	22.5 / 21.5	0.89 / 0.85	66 / 68
SDA25489B1Lx.U	◎	115	50/60	0.21 / 0.24	24 / 26	1400 / 1650	370 / 440	52 / 54	6.3 / 7.9	0.25 / 0.31	52 / 54
SDA25489B2Lx.U	◎	230	50/60	0.11 / 0.12	24 / 26	1400 / 1650	370 / 440	52 / 54	6.3 / 7.9	0.25 / 0.31	52 / 54
SDA25489B2HL.U(3ø)	◎	230	50/60	0.24 / 0.26	57 / 80	2750 / 3100	732 / 823	65 / 67	21.0 / 24.0	0.83 / 0.95	65 / 67
SDA25489B3HL.U(3ø)	◎	380	50/60	0.23 / 0.20	68 / 89	2800 / 3250	750 / 874	66 / 68	22.0 / 25.0	0.87 / 0.98	66 / 68
SDA25489B3SL.U(3ø)	◎	440	50/60	0.30 / 0.23	85 / 97	2850 / 3300	768 / 897	67 / 69	22.0 / 26.0	0.87 / 1.02	67 / 69

⊗ Bearing System ※ : Sleeve ★ : WRB Bearing ◎ : Ball

★如果您需要的轉速或電壓或功能不在這份清單上，請與我們業務聯繫 If you need another RPM or Voltage or Functions which one is not in the list, please contact us.

★產品詳細數據及功能請參閱承認書 Please see the approval sheet for more information . ★產品規格變更不另行通知 Specifications are subject to change without notice.