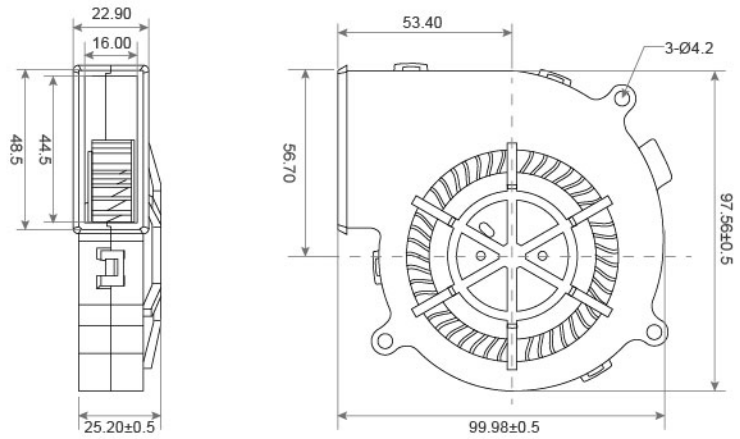
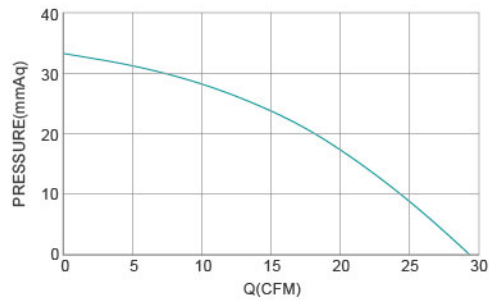


DIMENSIONS DRAWING UNIT : mm



- Frame : Thermoplastic PBT UL94-V0
外框材質：環保防火PBT
- Impeller : Thermoplastic PBT UL94-V0
扇葉材質：環保防火PBT
- Bearing : ※ Sleeve · ◎ Two Ball bearing
軸承：※ 含油 · ◎ 滾珠軸承
- Unit Weight : 200g
風扇單體重量：200克

P&Q Curve At Rated Voltage

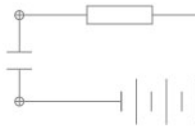


Model No.	Bearing Type	Voltage (VDC)	Current (A)	Power (W)	Speed (RPM)	Air Flow (CFM)	Air Flow (m ³ /min)	Air Pressure (mmH ₂ O)	Air Pressure (Inch H ₂ O)	Noise (dBA)
TRB9725x12H	※★◎	12 (7.0~14.0)	0.90	10.8	5000	28.91	0.82	33.27	1.31	56.0
TRB9725x24H	※★◎	24 (18.0~26.5)	0.45	10.8	5000	28.91	0.82	33.27	1.31	56.0

⊗ Bearing System ※ : Sleeve ★ : WRB ◎ : Ball

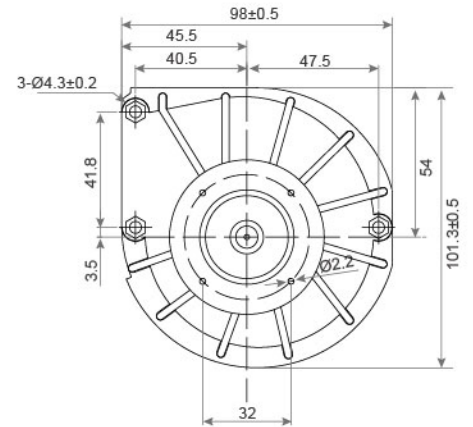
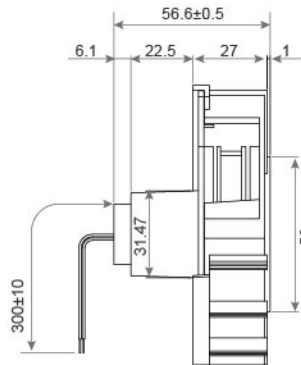
★如果您需要的轉速或電壓或功能不在這份清單上，請與我們業務聯繫 Please contact us, if the SPEC you need is not in the list.

★產品詳細數據及功能請參閱承認書 Please see the approval sheet for more information . ★產品規格變更不另行通知 Specifications are subject to change without notice.



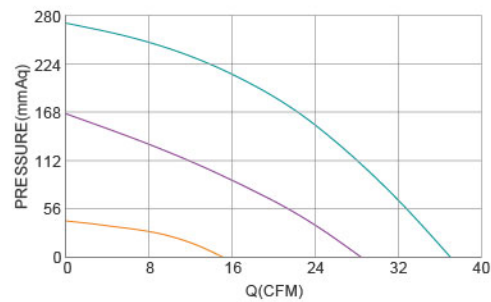
DC Blower Fan TRB9725 U SERIES 98X101.3x56.6mm

DIMENSIONS DRAWING UNIT : mm



- Frame : Thermoplastic PBT UL94-V0
外框材質：環保防火PBT
- Impeller : Thermoplastic PBT UL94-V0
扇葉材質：環保防火PBT
- Bearing : ※ Sleeve · ◎Two Ball bearing
軸承：※含油 · ◎滾珠軸承
- Unit Weight : 200g
風扇單體重量：200克

P&Q Curve At Rated Voltage



Model No.	Bearing Type	Voltage (VDC)	Current (A)	Power (W)	Speed (RPM)	Air Flow (CFM)	Air Flow (m ³ /min)	Air Pressure (mmH ₂ O)	Air Pressure (Inch H ₂ O)	Noise (dBA)
TRB9725S05H	※	5 (3.0~6.0)	0.58	2.9	8000	15.18	0.43	42.16	1.66	54.8
TRB9725B24H	◎	24 (18.0~26.5)	0.67	16.1	14100	28.47	0.81	166.33	6.55	68.5
TRB9725B24VH	◎	24 (18.0~26.5)	1.55	37.2	20000	37.05	1.05	271.09	9.58	74.0

⊗ Bearing System ※ : Sleeve ★ : WRB ◎ : Ball

★如果您需要的轉速或電壓或功能不在這份清單上，請與我們業務聯繫 Please contact us, if the SPEC you need is not in the list.