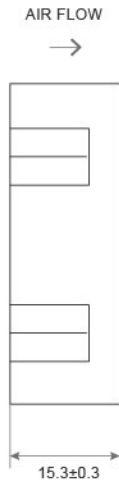
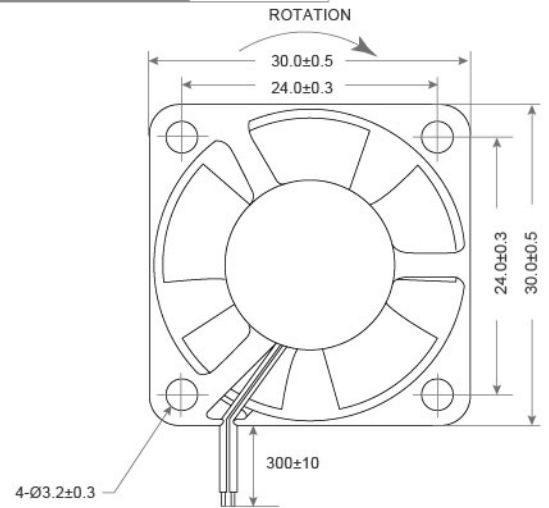


DC AXIAL FAN TRS3015 N SERIES 30X30X15mm

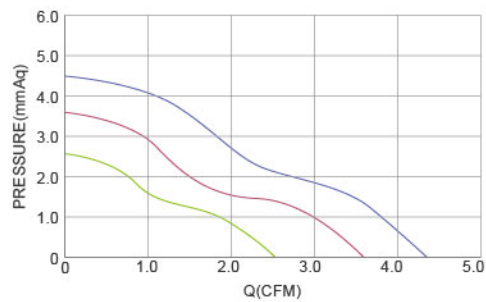


DIMENSIONS DRAWING UNIT : mm



- Frame : Thermoplastic PBT UL94-V0
外框材質：環保防火PBT
- Impeller : Thermoplastic PBT UL94-V0
扇葉材質：環保防火PBT
- Bearing : ※ Sleeve · ★WRB · ◎Two Ball Bearing
軸承：※含油 · ★WRB · ◎滾珠軸承
- Unit Weight : 8.5g
風扇單體重量：8.5克

P&Q Curve At Rated Voltage



Model No.	Bearing Type	Voltage (VDC)	Current (A)	Power (W)	Speed (RPM)	Air Flow (CFM)	Air Flow (m ³ /min)	Air Pressure (mmH ₂ O)	Air Pressure (Inch H ₂ O)	Noise (dBA)
TRS3015S05L	※	5 (4.5~5.5)	0.06	0.30	7000	3.80	0.11	2.79	0.11	17.0
TRS3015S05M	※	5 (4.5~5.5)	0.09	0.43	8000	4.40	0.12	3.81	0.15	20.5
TRS3015B05M	◎	5 (4.5~5.5)	0.11	0.55	9000	4.90	0.14	4.32	0.17	25.0
TRS3015B05H	◎	5 (4.5~5.5)	0.20	1.00	11000	5.70	0.16	6.35	0.25	30.0
TRS3015S12L	※	12 (9.0~13.2)	0.03	0.15	7000	3.80	0.11	2.79	0.11	17.0
TRS3015S12M	※	12 (7.0~13.2)	0.04	0.20	8000	4.40	0.12	3.81	0.15	20.5
TRS3015B12M	◎	12 (7.0~13.2)	0.45	2.25	9000	4.90	0.14	4.32	0.17	25.0
TRS3015B12H	◎	12 (7.0~13.2)	0.14	1.68	11500	6.10	0.17	7.11	0.28	30.0

◎ Bearing System ※ : Sleeve ★ : WRB ◎ : Ball

★如果您需要的轉速或電壓或功能不在這份清單上，請與我們業務聯繫 Please contact us, if the SPEC you need is not in the list.

★產品詳細數據及功能請參閱承認書 Please see the approval sheet for more information . ★產品規格變更不另行通知 Specifications are subject to change without notice.