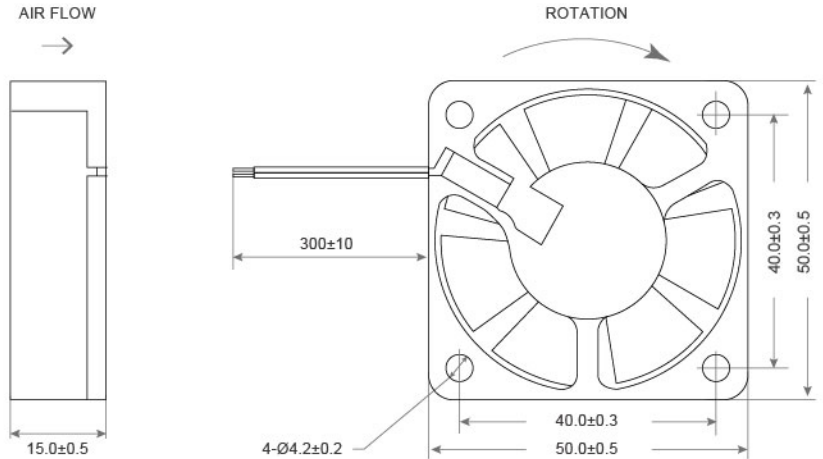


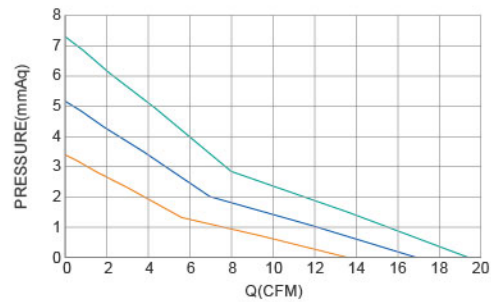
DC AXIAL FAN TRS5015 SERIES 50X50X15mm

DIMENSIONS DRAWING UNIT : mm



- Frame : Thermoplastic PBT UL94-V0
外框材質：環保防火PBT
- Impeller : Thermoplastic PBT UL94-V0
扇葉材質：環保防火PBT
- Bearing : ※Sleeve · ★WRB · ◎Two Ball Bearing
軸承：※含油 · ★WRB · ◎滾珠軸承
- Unit Weight : 24g
風扇單體重量：24克

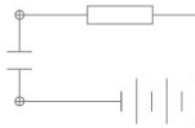
P&Q Curve At Rated Voltage



Model No.	Bearing Type	Voltage (VDC)	Current (A)	Power (W)	Speed (RPM)	Air Flow (CFM)	Air Flow (m ³ /min)	Air Pressure (mmH ₂ O)	Air Pressure (Inch H ₂ O)	Noise (dBA)
TRS5015x05L	※★◎	5 (4.0~5.5)	0.12	0.60	3500	10.55	0.31	2.12	0.08	21.5
TRS5015x05M	※★◎	5 (4.0~5.5)	0.18	0.90	4500	13.48	0.38	3.46	0.14	27.8
TRS5015x05H	※★◎	5 (4.0~5.5)	0.34	1.70	5500	16.41	0.46	5.13	0.20	31.2
TRS5015x12L	※★◎	12 (7.0~14.0)	0.06	0.72	3500	10.55	0.31	2.12	0.08	21.5
TRS5015x12M	※★◎	12 (7.0~14.0)	0.09	1.08	4500	13.48	0.38	3.46	0.14	27.8
TRS5015x12H	※★◎	12 (7.0~14.0)	0.14	1.68	5500	16.41	0.46	5.13	0.20	31.2
TRS5015x12VH	※★◎	12 (7.0~14.0)	0.19	2.28	6500	19.35	0.55	7.12	0.28	35.6
TRS5015x24H	※★◎	24 (15.0~27.0)	0.07	1.68	5500	16.41	0.46	5.13	0.20	31.2
TRS5015x24VH	※★◎	24 (15.0~27.0)	0.10	2.40	6500	19.35	0.55	7.12	0.28	35.6

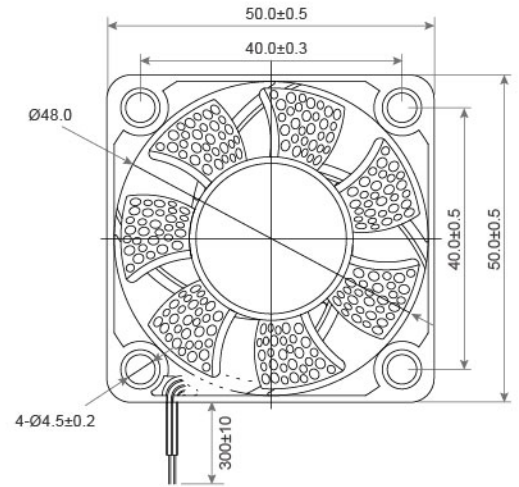
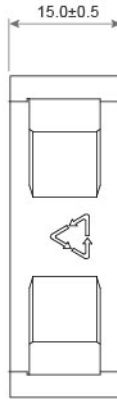
◎ Bearing System ※ : Sleeve ★ : WRB ◎ : Ball

★如果您需要的轉速或電壓或功能不在這份清單上，請與我們業務聯繫 Please contact us, if the SPEC you need is not in the list.



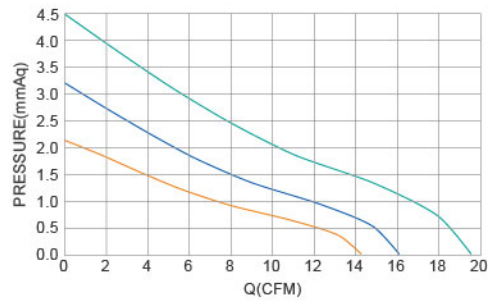
DC Golf Fan TRS5015 G SERIES 50X50X15mm

DIMENSIONS DRAWING UNIT : mm



- Frame : PBT+GF30%
外框材質：聚對苯二甲酸丁二酯+玻纖30%
- Impeller : PBT+GF30%
扇葉材質：聚對苯二甲酸丁二酯+玻纖30%
- Bearing : ※ Sleeve · ◎ Two Ball Bearing
軸承：※ 含油 · ◎ 滾珠軸承
- Unit Weight : 25.6g
風扇單體重量：25.6克

P&Q Curve At Rated Voltage



Model No.	Bearing Type	Voltage (VDC)	Current (A)	Power (W)	Speed (RPM)	Air Flow (CFM)	Air Flow (m ³ /min)	Air Pressure (mmH ₂ O)	Air Pressure (Inch H ₂ O)	Noise (dBA)
TRS5015B12L	※◎	12 (7.0~13.8)	0.10	1.20	4000	14.35	0.41	2.14	0.08	20.1
TRS5015B12M	※◎	12 (7.0~13.8)	0.15	1.80	5000	16.18	0.46	3.18	0.12	25.3
TRS5015B12H	※◎	12 (7.0~13.8)	0.20	2.40	6000	19.69	0.56	4.47	0.18	29.6

⊗ Bearing System ※ : Sleeve ★ : WRB ◎ : Ball

★如果您需要的轉速或電壓或功能不在這份清單上，請與我們業務聯繫 Please contact us, if the SPEC you need is not in the list.