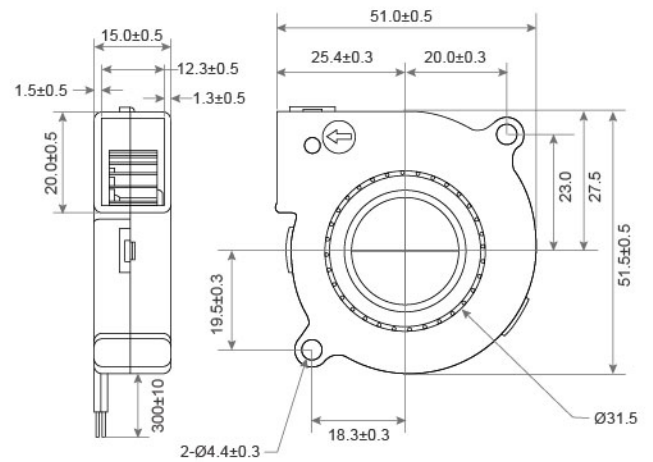
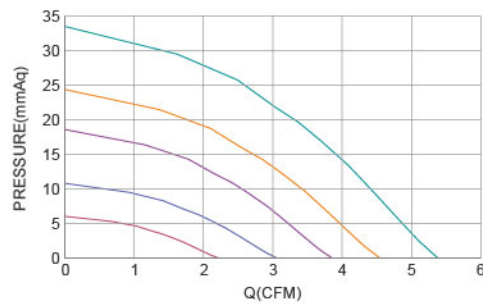


DIMENSIONS DRAWING UNIT : mm



- Frame : Thermoplastic PBT UL94-V0
外框材質：環保防火PBT
- Impeller : Thermoplastic PBT UL94-V0
扇葉材質：環保防火PBT
- Bearing : ★WRB · ◎Two Ball bearing
軸承：★WRB · ◎滾珠軸承
- Unit Weight : 26g
風扇單體重量：26克

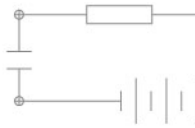
P&Q Curve At Rated Voltage



Model No.	Bearing Type	Voltage (VDC)	Current (A)	Power (W)	Speed (RPM)	Air Flow (CFM)	Air Flow (m ³ /min)	Air Pressure (mmH ₂ O)	Air Pressure (Inch H ₂ O)	Noise (dBA)
TRB5015x05D	★◎	5 (4.5~5.5)	0.10	0.50	3000	2.28	0.06	6.19	0.24	24.5
TRB5015x05L	★◎	5 (4.5~5.5)	0.18	0.90	4000	3.04	0.09	11.00	0.43	31.2
TRB5015x05M	★◎	5 (4.5~5.5)	0.28	1.40	5000	3.80	0.11	17.19	0.68	38.0
TRB5015x05H	★◎	5 (4.5~5.5)	0.36	1.80	6000	4.56	0.13	24.76	0.97	39.8
TRB5015x12D	★◎	5 (7.0~14.0)	0.04	0.48	3000	2.28	0.06	6.19	0.24	24.5
TRB5015x12L	★◎	12 (7.0~14.0)	0.05	0.60	4000	3.04	0.09	11.00	0.43	31.2
TRB5015x12M	★◎	12 (7.0~14.0)	0.08	0.96	5000	3.80	0.11	17.19	0.68	38.0
TRB5015x12H	★◎	12 (7.0~14.0)	0.12	1.44	6000	4.56	0.13	24.76	0.97	39.8
TRB5015x12VH	★◎	12 (7.0~14.0)	0.14	1.68	7000	5.31	0.15	33.70	1.33	42.4
TRB5015x24M	★◎	24 (15.0~27.0)	0.06	1.44	5000	3.80	0.11	17.19	0.68	38.0
TRB5015x24H	★◎	24 (15.0~27.0)	0.07	1.68	6000	4.56	0.13	24.76	0.97	39.8
TRB5015x24VH	★◎	24 (15.0~27.0)	0.08	1.92	7000	5.31	0.15	33.70	1.33	42.4

⊗ Bearing System ※ : Sleeve ★ : WRB Bearing ◎ : Ball

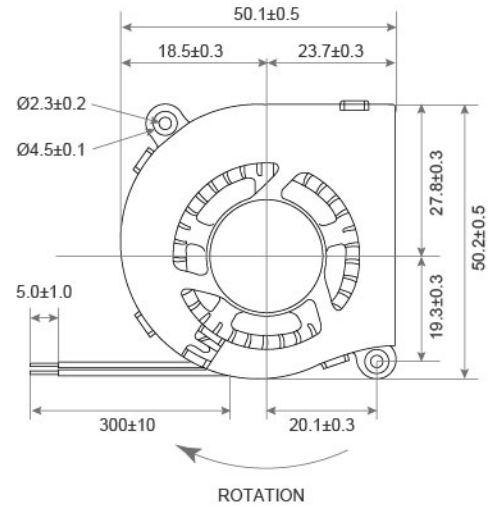
★如果您需要的轉速或電壓或功能不在這份清單上，請與我們業務聯繫 Please contact us, if the SPEC you need is not in the list.



DC Blower Fan TRB5015 SERIES 50X50X15mm

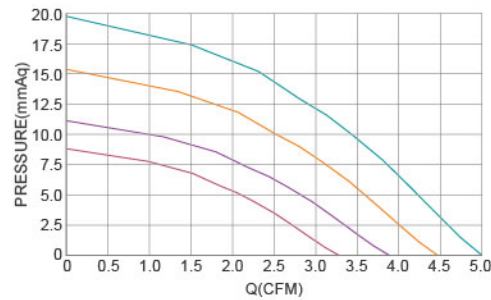


DIMENSIONS DRAWING UNIT : mm



ROTATION

P&Q Curve At Rated Voltage



- Frame : Thermoplastic PBT UL94-V0
外框材質：環保防火PBT
- Impeller : Thermoplastic PBT UL94-V0
扇葉材質：環保防火PBT
- Bearing : ★WRB · ◎Two Ball bearing
軸承：★WRB · ◎滾珠軸承
- Unit Weight : 26g
風扇單體重量：26克

Model No.	Bearing Type	Voltage (VDC)	Current (A)	Power (W)	Speed (RPM)	Air Flow (CFM)	Air Flow (m ³ /min)	Air Pressure (mmH ₂ O)	Air Pressure (Inch H ₂ O)	Noise (dBA)
TRB5015x05L	★◎	5 (4.0~6.0)	0.08	0.40	3700	2.7	0.08	5.79	0.23	25.8
TRB5015x05M	★◎	5 (4.0~6.0)	0.14	0.70	4500	3.3	0.09	8.56	0.34	30.5
TRB5015x05H	★◎	5 (4.0~6.0)	0.22	1.10	5200	3.8	0.11	11.43	0.45	34.4
TRB5015x05VH	★◎	5 (4.0~6.0)	0.34	1.70	6000	4.4	0.12	15.22	0.60	38.7
TRB5015x12L	★◎	12 (7.0~14.0)	0.04	0.50	3700	2.7	0.08	5.79	0.23	25.8
TRB5015x12M	★◎	12 (7.0~14.0)	0.07	0.80	4500	3.3	0.09	8.56	0.34	30.5
TRB5015x12H	★◎	12 (7.0~14.0)	0.11	1.30	5200	3.8	0.11	11.43	0.45	34.4
TRB5015x12VH	★◎	12 (7.0~14.0)	0.17	2.10	6000	4.4	0.12	15.22	0.60	38.7
TRB5015x12SH	★◎	12 (7.0~14.0)	0.25	3.00	6800	5.0	0.14	19.55	0.77	43.8
TRB5015x24H	★◎	24 (15.0~27.0)	0.05	1.20	5200	3.8	0.11	11.43	0.45	34.4
TRB5015x24VH	★◎	24 (15.0~27.0)	0.08	1.90	6000	4.4	0.12	15.22	0.60	38.7
TRB5015x24SH	★◎	24 (15.0~27.0)	0.13	3.10	6800	5.0	0.14	19.55	0.77	43.8

⊗ Bearing System ※ : Sleeve ★ : WRB Bearing ◎ : Ball

★如果您需要的轉速或電壓或功能不在這份清單上，請與我們業務聯繫 Please contact us, if the SPEC you need is not in the list.