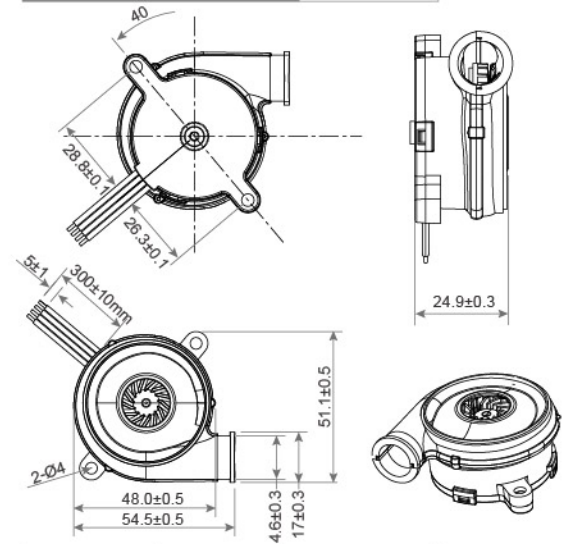
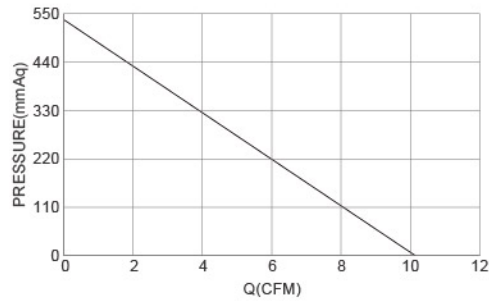


**DIMENSIONS DRAWING** UNIT : mm



- Frame : Thermoplastic PBT UL94-V0  
外框材質：環保防火PBT
- Impeller : Thermoplastic PBT UL94-V0  
扇葉材質：環保防火PBT
- Bearing System : ◎Two Ball  
軸承結構：◎滾珠軸承

**P&Q Curve** At Rated Voltage

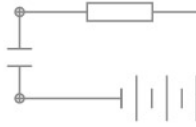


Model No.	Bearing Type	Voltage (VDC)	Current (A)	Power (W)	Speed (RPM)	Air Flow		Air Pressure		Noise (dBA)
						(CFM)	(m <sup>3</sup> /min)	(mmH <sub>2</sub> O)	(Inch H <sub>2</sub> O)	
SBA5025H12B	◎	12( 8.5~13.5)	2.8	33.6	40000	10.1	0.286	538	21.18	70.2
SBA5025H24B	◎	24(18.0~26.5)	1.4	33.6	40000	10.1	0.286	538	21.18	70.2

⊗ Bearing System ※ : Sleeve ★ : WRB Bearing ◎ : Ball

★如果您需要的轉速或電壓或功能不在這份清單上，請與我們業務聯繫 If you need another RPM or Voltage or Functions which one is not in the list, please contact us.

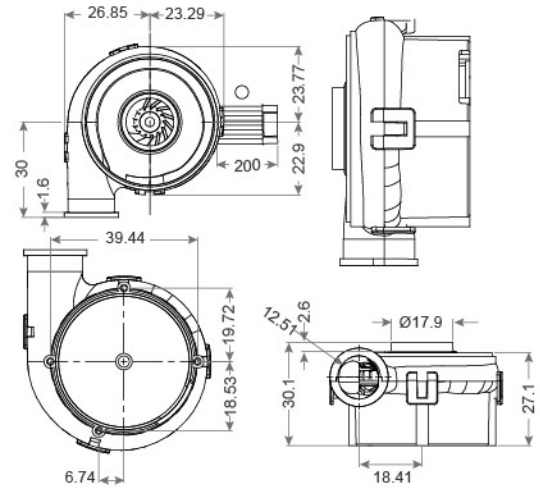
★產品詳細數據及功能請參閱承認書 Please see the approval sheet for more information . ★產品規格變更不另行通知 Specifications are subject to change without notice.



**DC Blower**  
**SBA5025 SERIES** 50X25mm

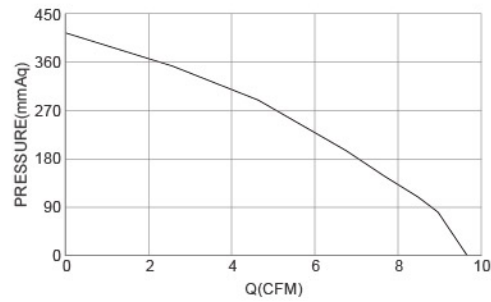


**DIMENSIONS DRAWING** UNIT : mm



- Frame : Thermoplastic PBT UL94-V0  
外框材質 : 環保防火PBT
- Impeller : Thermoplastic PBT UL94-V0  
扇葉材質 : 環保防火PBT
- Bearing System : ◎Two Ball  
軸承結構 : ◎滾珠軸承

**P&Q Curve** At Rated Voltage



Model No.	Bearing Type	Voltage (VDC)	Current (A)	Power (W)	Speed (RPM)	Air Flow (CFM)	Air Flow (m <sup>3</sup> /min)	Air Pressure (mmH <sub>2</sub> O)	Air Pressure (Inch H <sub>2</sub> O)	Noise (dBA)
SBA5025H24B	◎	24(5.0~30.0)	1.0	24.0	37000	9.5	0.27	412.8	16.25	67.0

⊗ Bearing System ※ : Sleeve ★ : WRB Bearing ◎ : Ball

★如果您需要的轉速或電壓或功能不在這份清單上，請與我們業務聯繫 If you need another RPM or Voltage or Functions which one is not in the list, please contact us.

★產品詳細數據及功能請參閱承認書 Please see the approval sheet for more information . ★產品規格變更不另行通知 Specifications are subject to change without notice.