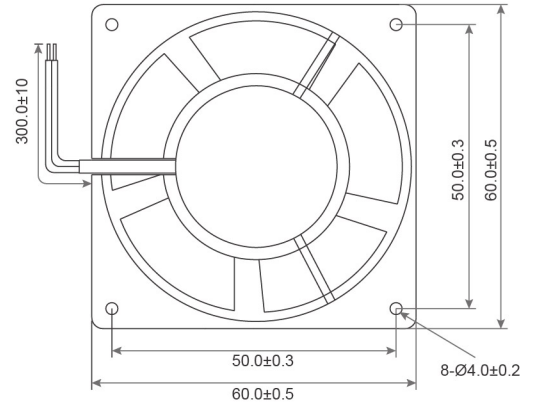
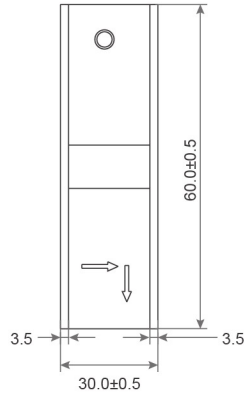


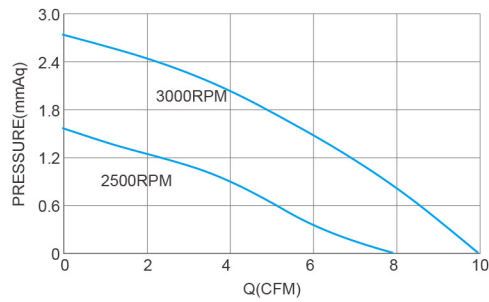
AC Axial Fan SA6030 SERIES 60X60X30mm

DIMENSIONS DRAWING UNIT : mm



- Frame : Aluminum Housing
外框材質：鋁框
- Impeller : Thermoplastic PBT UL 94-V0
扇葉材質：環保防火PBT UL94-V0
- Ingress Protection : Optional IP55
防護等級：可選擇 IP55
- Weight : 240g
風扇單體重量：240克

P&Q Curve At Rated Voltage



Model No.	Bearing Type	Voltage (VAC)	Frequency (Hz)	Current (A)	Power (W)	Speed (RPM)	Air Flow (CFM)	Air Flow (m ³ /min)	Air Pressure (mmH ₂ O)	Air Pressure (Inch H ₂ O)	Noise (dBA)
SA6030B1Mx	◎	120	50/60	0.04/0.03	5.0/4.0	2500/3000	7.9/10.0	0.22/0.30	0.06/0.10	1.6/2.7	26/27
SA6030B2Mx	◎	230	50/60	0.02/0.02	5.0/4.0	2500/3000	7.9/10.0	0.22/0.30	0.06/0.10	1.6/2.7	26/27
SA6030S1Mx	※	120	50/60	0.04/0.03	5.0/4.0	2500/3000	7.9/10.0	0.22/0.30	0.06/0.10	1.6/2.7	26/27
SA6030S2Mx	※	230	50/60	0.02/0.02	5.0/4.0	2500/3000	7.9/10.0	0.22/0.30	0.06/0.10	1.6/2.7	26/27

⊗ Bearing System ※ : Sleeve ★ : WRB Bearing ◎ : Ball

★如果您需要的轉速或電壓或功能不在這份清單上，請與我們業務聯繫 If you need another RPM or Voltage or Functions which one is not in the list, please contact us.
★產品詳細數據及功能請參閱承認書 Please see the approval sheet for more information . ★產品規格變更不另行通知 Specifications are subject to change without notice.