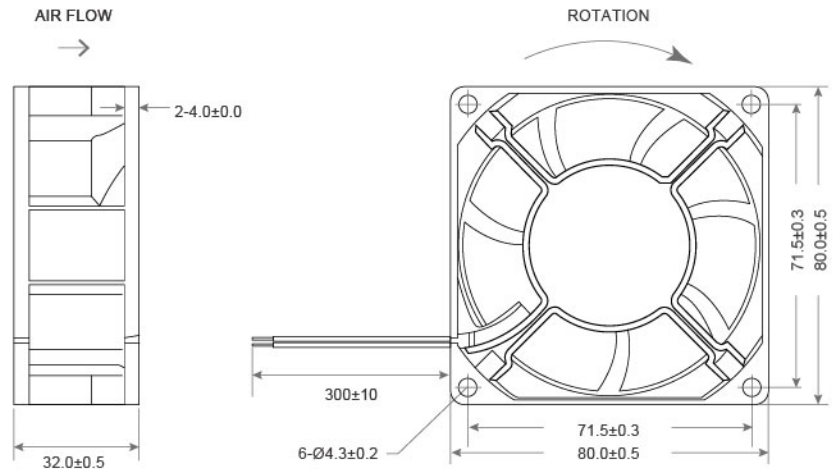


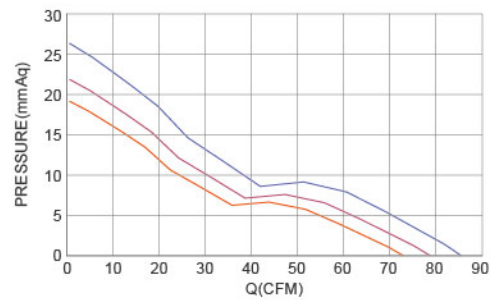
DC AXIAL FAN TRD8032 SERIES 80X80X32mm

DIMENSIONS DRAWING UNIT : mm



- Frame : Thermoplastic PBT UL94-V0
外框材質：環保防火PBT
- Impeller : Thermoplastic PBT UL94-V0
扇葉材質：環保防火PBT
- Bearing : ※ Sleeve · ★ WRB · ◎ Two Ball Bearing
軸承：※ 含油 · ★ WRB · ◎ 滾珠軸承
- Unit Weight : 95g
風扇單體重量：95克

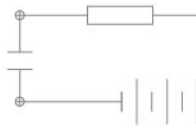
P&Q Curve At Rated Voltage



Model No.	Bearing Type	Voltage (VDC)	Current (A)	Power (W)	Speed (RPM)	Air Flow (CFM)	Air Flow (m ³ /min)	Air Pressure (mmH ₂ O)	Air Pressure (Inch H ₂ O)	Noise (dBA)
TRD8032x12D	※★◎	12 (7.0~14.0)	0.24	2.88	4000	49.02	1.38	8.76	0.34	35.8
TRD8032x12L	※★◎	12 (7.0~14.0)	0.40	4.80	5000	60.98	1.72	13.55	0.53	39.5
TRD8032x12M	※★◎	12 (7.0~14.0)	0.52	6.24	5500	66.96	1.89	16.34	0.64	42.9
TRD8032x12H	※★◎	12 (7.0~14.0)	0.64	7.68	6000	72.94	2.06	19.39	0.76	46.2
TRD8032x12VH	※★◎	12 (7.0~14.0)	0.80	9.60	6500	78.92	2.23	22.70	0.89	47.9
TRD8032x12SH	※★◎	12 (7.0~14.0)	1.00	12.00	7000	84.90	2.40	26.27	1.03	49.4
TRD8032x24D	※★◎	24 (15.0~27.0)	0.12	2.88	4000	49.02	1.38	8.76	0.34	35.8
TRD8032x24L	※★◎	24 (15.0~27.0)	0.20	4.80	5000	60.98	1.72	13.55	0.53	39.5
TRD8032x24M	※★◎	24 (15.0~27.0)	0.26	6.24	5500	66.96	1.89	16.34	0.64	42.9
TRD8032x24H	※★◎	24 (15.0~27.0)	0.32	7.68	6000	72.94	2.06	19.39	0.76	46.2
TRD8032x24VH	※★◎	24 (15.0~27.0)	0.40	9.60	6500	78.92	2.23	22.70	0.89	47.9
TRD8032x24SH	※★◎	24 (15.0~27.0)	0.50	12.00	7000	84.90	2.40	26.27	1.03	49.4
TRD8032x48D	※★◎	48 (35.0~57.0)	0.06	2.88	4000	49.02	1.38	8.76	0.34	35.8
TRD8032x48L	※★◎	48 (35.0~57.0)	0.10	4.80	5000	60.98	1.72	13.55	0.53	39.5
TRD8032x48M	※★◎	48 (35.0~57.0)	0.13	6.24	5500	66.96	1.89	16.34	0.64	42.9
TRD8032x48H	※★◎	48 (35.0~57.0)	0.16	7.68	6000	72.94	2.06	19.39	0.76	46.2
TRD8032x48VH	※★◎	48 (35.0~57.0)	0.20	9.60	6500	78.92	2.23	22.70	0.89	47.9
TRD8032x48SH	※★◎	48 (35.0~57.0)	0.25	12.00	7000	84.90	2.40	26.27	1.03	49.4

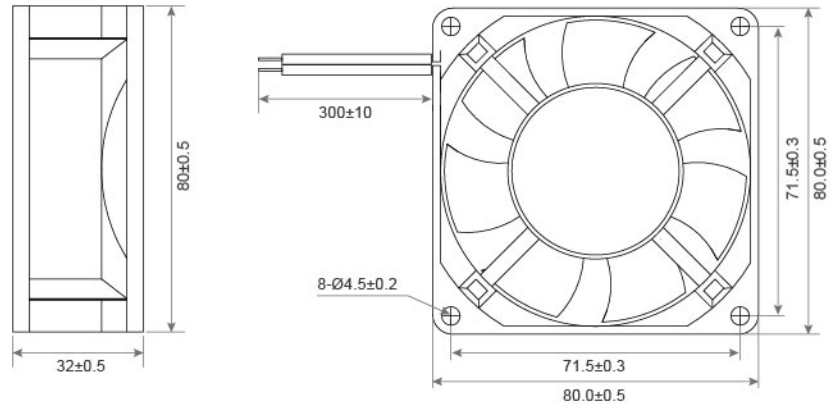
◎ Bearing System ※ : Sleeve ★ : WRB ◎ : Ball

★如果您需要的轉速或電壓或功能不在這份清單上，請與我們業務聯繫 Please contact us, if the SPEC you need is not in the list.



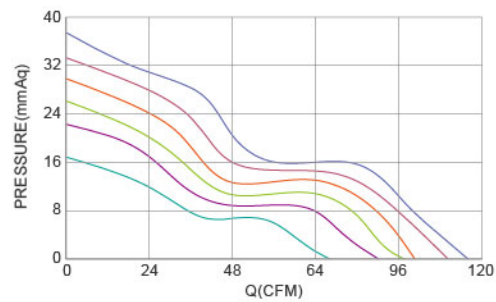
DC AXIAL FAN TRD8032 U SERIES 80X80X32mm

DIMENSIONS DRAWING UNIT : mm



- Frame : Thermoplastic PBT UL94-V0
外框材質：環保防火PBT
- Impeller : Thermoplastic PBT UL94-V0
扇葉材質：環保防火PBT
- Bearing : ※ Sleeve · ★ WRB · ◎ Two Ball Bearing
軸承：※ 含油 · ★ WRB · ◎ 滾珠軸承
- Unit Weight : 180g
風扇單體重量：180克

P&Q Curve At Rated Voltage



Model No.	Bearing Type	Voltage (VDC)	Current (A)	Power (W)	Speed (RPM)	Air Flow (CFM)	Air Flow (m ³ /min)	Air Pressure (mmH ₂ O)	Air Pressure (Inch H ₂ O)	Noise (dBA)
TRD8032x12D	※◎	12 (7.0~14.0)	0.40	4.8	4000	49.89	1.413	8.51	0.335	46.8
TRD8032x12L	※◎	12 (7.0~14.0)	0.68	8.2	5000	61.29	1.736	11.63	0.458	50.3
TRD8032x12M	※◎	12 (7.0~14.0)	0.96	11.5	6000	75.50	2.138	16.78	0.661	52.0
TRD8032x12H	※◎	12 (7.0~14.0)	1.24	14.9	7000	88.93	2.518	22.39	0.881	54.2
TRD8032x12VH	※◎	12 (7.0~14.0)	1.51	18.2	8000	100.80	2.856	29.53	1.163	61.2
TRD8032x12SH	※◎	12 (7.0~14.0)	1.84	22.1	8500	107.13	3.034	32.90	1.295	63.5
TRD8032x24D	※◎	24 (15.0~27.0)	0.20	4.8	4000	49.89	1.413	8.51	0.335	46.8
TRD8032x24L	※◎	24 (15.0~27.0)	0.34	8.2	5000	61.29	1.736	11.63	0.458	50.3
TRD8032x24M	※◎	24 (15.0~27.0)	0.48	11.5	6000	75.50	2.138	16.78	0.661	52.0
TRD8032x24H	※◎	24 (15.0~27.0)	0.62	14.9	7000	88.93	2.518	22.39	0.881	54.2
TRD8032x24VH	※◎	24 (15.0~27.0)	0.76	18.2	8000	100.80	2.856	29.53	1.163	61.2
TRD8032x24SH	※◎	24 (15.0~27.0)	0.92	22.1	8500	107.13	3.034	32.90	1.295	63.5
TRD8032x48D	※◎	48 (35.0~57.0)	0.10	4.8	4000	49.89	1.413	8.51	0.335	46.8
TRD8032x48L	※◎	48 (35.0~57.0)	0.17	8.2	5000	61.29	1.736	11.63	0.458	50.3
TRD8032x48M	※◎	48 (35.0~57.0)	0.24	11.5	6000	75.50	2.138	16.78	0.661	52.0
TRD8032x48H	※◎	48 (35.0~57.0)	0.31	14.9	7000	88.93	2.518	22.39	0.881	54.2
TRD8032x48VH	※◎	48 (35.0~57.0)	0.38	18.2	8000	100.80	2.856	29.53	1.163	61.2
TRD8032x48SH	※◎	48 (35.0~57.0)	0.46	22.1	8500	107.13	3.034	32.90	1.295	63.5

⊗ Bearing System ※ : Sleeve ★ : WRB ◎ : Ball

★如果您需要的轉速或電壓或功能不在這份清單上，請與我們業務聯繫 Please contact us, if the SPEC you need is not in the list.