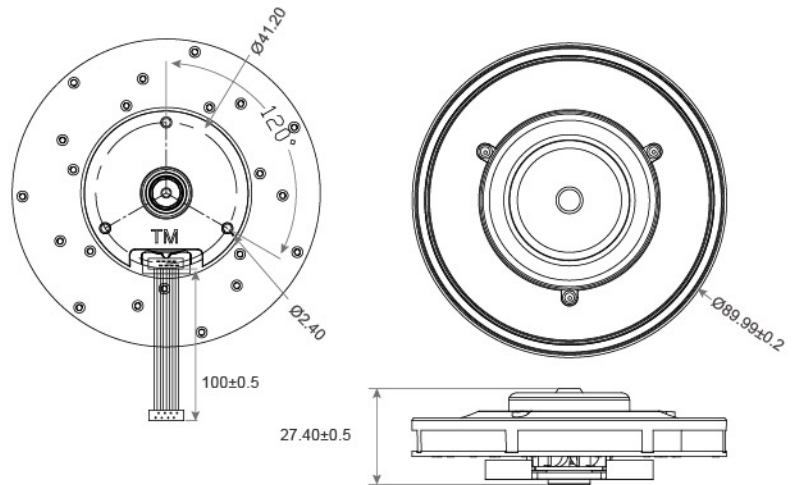


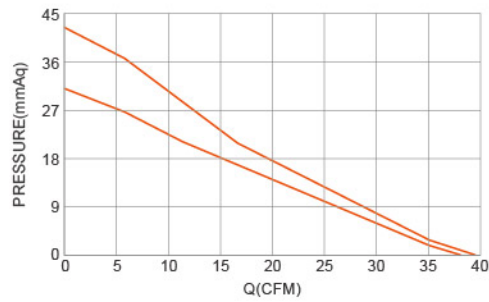
DC Blower
SCA9025 SERIES $\varnothing 90 \times 25 \text{mm}$

DIMENSIONS DRAWING UNIT : mm



- Frame : Thermoplastic PBT UL94-V0
外框材質：環保防火PBT
- Impeller : Thermoplastic PBT UL94-V0
扇葉材質：環保防火PBT
- Bearing System : ◎Two Ball
軸承結構：◎滾珠軸承
- Unit Weight : 85g
風扇單體重量：85克

P&Q Curve At Rated Voltage



Model No.	Bearing Type	Voltage (VDC)	Current (A)	Power (W)	Speed (RPM)	Air Flow (CFM)	Air Flow (m ³ /min)	Air Pressure (mmH ₂ O)	Air Pressure (Inch H ₂ O)	Noise (dBA)
SCA9025M12BX	◎	10.8(5.0~11.0)	1.80	19.4	9450	39.2	1.11	42.6	1.68	70.9
SCA9025H12BX	◎	14.4(5.0~14.5)	1.25	18.0	9300	37.8	1.07	30.9	1.22	71.9

⊗ Bearing System ※ : Sleeve ★ : WRB Bearing ◎ : Ball

★如果您需要的轉速或電壓或功能不在這份清單上，請與我們業務聯繫 If you need another RPM or Voltage or Functions which one is not in the list, please contact us.

★產品詳細數據及功能請參閱承認書 Please see the approval sheet for more information . ★產品規格變更不另行通知 Specifications are subject to change without notice.