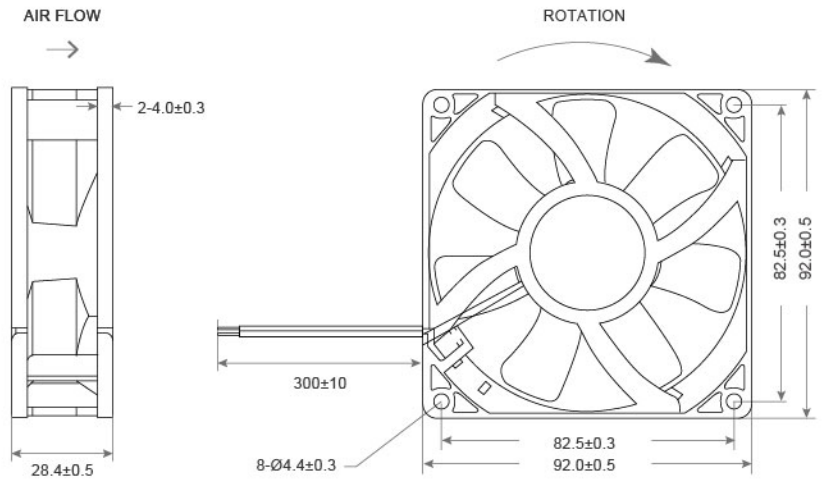


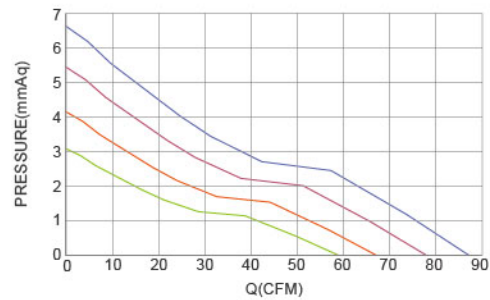
DC AXIAL FAN TRD9228 SERIES 92X92X28mm

DIMENSIONS DRAWING UNIT : mm



- Frame : Thermoplastic PBT UL94-V0
外框材質：環保防火PBT
- Impeller : Thermoplastic PBT UL94-V0
扇葉材質：環保防火PBT
- Bearing : ※Sleeve · ★WRB · ◎Two Ball Bearing
軸承：※含油 · ★WRB · ◎滾珠軸承
- Unit Weight : 120g
風扇單體重量：120克

P&Q Curve At Rated Voltage



Model No.	Bearing Type	Voltage (VDC)	Current (A)	Power (W)	Speed (RPM)	Air Flow (CFM)	Air Flow (m ³ /min)	Air Pressure (mmH ₂ O)	Air Pressure (Inch H ₂ O)	Noise (dBA)
TRD9228x12L	※★◎	12 (7.0~14.0)	0.16	1.92	2400	58.00	1.64	3.05	0.12	34.4
TRD9228x12M	※★◎	12 (7.0~14.0)	0.25	3.00	2800	67.67	1.91	4.15	0.16	38.0
TRD9228x12H	※★◎	12 (7.0~14.0)	0.41	4.92	3200	77.33	2.19	5.42	0.21	41.6
TRD9228x12VH	※★◎	12 (7.0~14.0)	0.54	6.48	3600	87.00	2.46	6.86	0.27	44.8
TRD9228x24L	※★◎	24 (15.0~27.0)	0.08	1.92	2400	58.00	1.64	3.05	0.12	34.4
TRD9228x24M	※★◎	24 (15.0~27.0)	0.12	2.88	2800	67.67	1.91	4.15	0.16	38.0
TRD9228x24H	※★◎	24 (15.0~27.0)	0.20	4.80	3200	77.33	2.19	5.42	0.21	41.6
TRD9228x24VH	※★◎	24 (15.0~27.0)	0.27	6.48	3600	87.00	2.46	6.86	0.27	44.8

⊗ Bearing System ※ : Sleeve ★ : WRB ◎ : Ball

★如果您需要的轉速或電壓或功能不在這份清單上，請與我們業務聯繫 Please contact us, if the SPEC you need is not in the list.