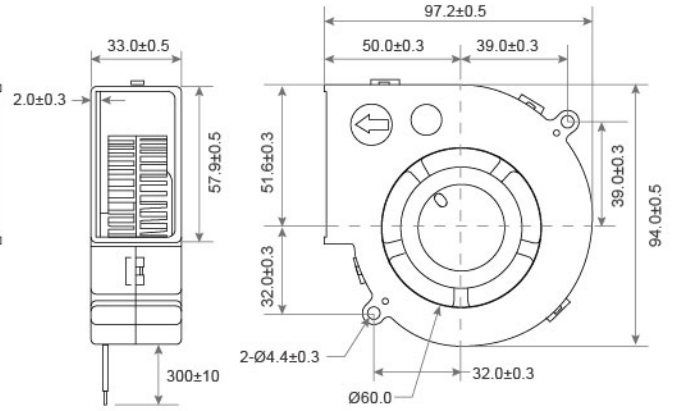
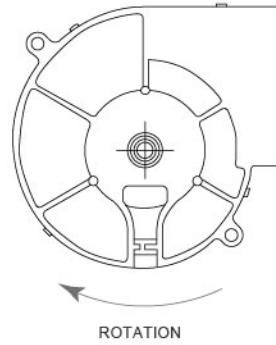


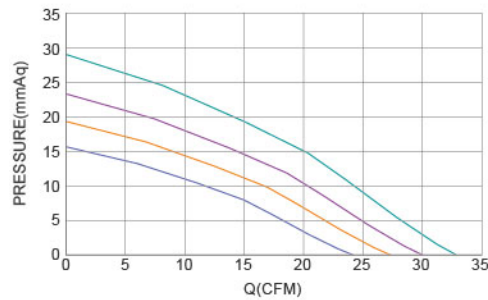
# DC Blower Fan TRB9733 SERIES 97X94X33mm

DIMENSIONS DRAWING UNIT : mm



- Frame : Thermoplastic PBT UL94-V0  
外框材質：環保防火PBT
- Impeller : Thermoplastic PBT UL94-V0  
扇葉材質：環保防火PBT
- Bearing : ※Sleeve · ★WRB · ◎Two Ball bearing  
軸承：※含油 · ★WRB · ◎滾珠軸承
- Unit Weight : 166g  
風扇單體重量：166克

P&Q Curve At Rated Voltage



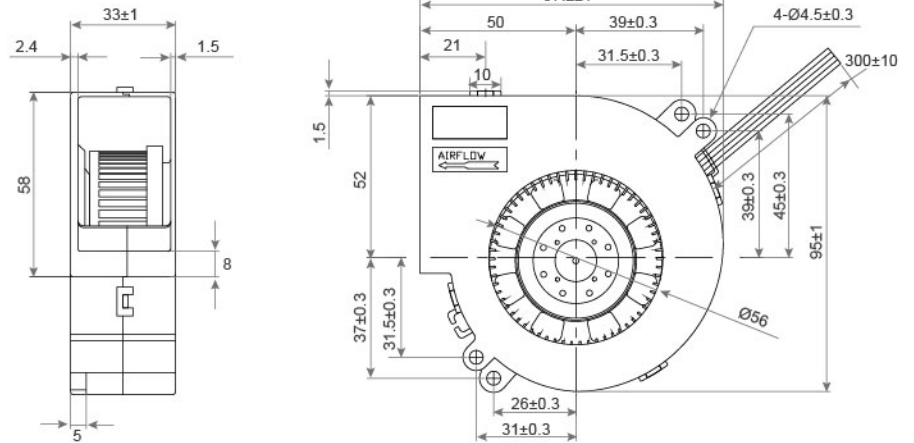
Model No.	Bearing Type	Voltage (VDC)	Current (A)	Power (W)	Speed (RPM)	Air Flow (CFM)	Air Flow (m <sup>3</sup> /min)	Air Pressure (mmH <sub>2</sub> O)	Air Pressure (Inch H <sub>2</sub> O)	Noise (dBA)
TRB9733x12D	※★◎	12 ( 7.0~14.0)	0.24	2.88	3000	18.19	0.51	8.53	0.34	40.2
TRB9733x12L	※★◎	12 ( 7.0~14.0)	0.33	3.96	3500	21.22	0.60	11.61	0.46	45.3
TRB9733x12M	※★◎	12 ( 7.0~14.0)	0.52	6.24	4000	24.25	0.69	15.16	0.60	47.0
TRB9733x12H	※★◎	12 ( 7.0~14.0)	0.75	9.00	4500	27.28	0.77	19.19	0.76	49.9
TRB9733x12VH	※★◎	12 ( 7.0~14.0)	0.79	9.48	5000	30.31	0.86	23.69	0.93	53.0
TRB9733x12SH	※★◎	12 ( 7.0~14.0)	1.06	12.72	5500	33.34	0.94	28.66	1.13	54.5
TRB9733x24D	※★◎	24 (15.0~27.0)	0.12	2.88	3000	18.19	0.51	8.53	0.34	40.2
TRB9733x24L	※★◎	24 (15.0~27.0)	0.15	3.96	3500	21.22	0.60	11.61	0.46	45.3
TRB9733x24M	※★◎	24 (15.0~27.0)	0.24	6.24	4000	24.25	0.69	15.16	0.60	47.0
TRB9733x24H	※★◎	24 (15.0~27.0)	0.30	9.00	4500	27.28	0.77	19.19	0.76	49.9
TRB9733x24VH	※★◎	24 (15.0~27.0)	0.45	9.48	5000	30.31	0.86	23.69	0.93	53.0
TRB9733x24SH	※★◎	24 (15.0~27.0)	0.53	12.72	5500	33.34	0.94	28.66	1.13	54.5
TRB9733x48D	※★◎	48 (35.0~58.0)	0.06	2.88	3000	18.19	0.51	8.53	0.34	40.2
TRB9733x48L	※★◎	48 (35.0~58.0)	0.08	3.96	3500	21.22	0.60	11.61	0.46	45.3
TRB9733x48M	※★◎	48 (35.0~58.0)	0.12	6.24	4000	24.25	0.69	15.16	0.60	47.0
TRB9733x48H	※★◎	48 (35.0~58.0)	0.15	9.00	4500	27.28	0.77	19.19	0.76	49.9
TRB9733x48VH	※★◎	48 (35.0~58.0)	0.23	9.48	5000	30.31	0.86	23.69	0.93	53.0
TRB9733x48SH	※★◎	48 (35.0~58.0)	0.27	12.72	5500	33.34	0.94	28.66	1.13	54.5

◎ Bearing System ※ : Sleeve ★ : WRB Bearing ◎ : Ball

★如果您需要的轉速或電壓或功能不在這份清單上，請與我們業務聯繫 Please contact us, if the SPEC you need is not in the list.

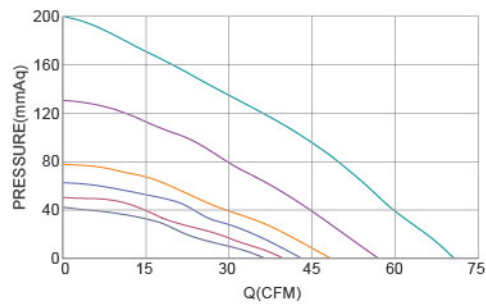


DIMENSIONS DRAWING UNIT : mm



- Frame : Thermoplastic PBT UL94-V0  
外框材質：環保防火PBT
- Impeller : Thermoplastic PBT UL94-V0  
扇葉材質：環保防火PBT
- Bearing : ◎Two Ball bearing  
軸承：◎滾珠軸承
- Unit Weight : 200g  
風扇單體重量：200克

P&Q Curve At Rated Voltage



Model No.	Bearing Type	Voltage (VDC)	Current (A)	Power (W)	Speed (RPM)	Air Flow (CFM)	Air Flow (m <sup>3</sup> /min)	Air Pressure (mmH <sub>2</sub> O)	Air Pressure (Inch H <sub>2</sub> O)	Noise (dBA)
TRB9733B12L	◎	12(7.0~13.8)	0.9	10.8	4500	36.7	1.04	41.79	1.65	56
TRB9733B12M	◎	12(7.0~13.8)	1.1	13.2	4850	39.2	1.11	49.95	1.97	57
TRB9733B12H	◎	12(7.0~13.8)	1.4	16.8	5250	43.1	1.22	62.18	2.45	59
TRB9733B12VH	◎	12(7.0~13.8)	1.8	21.6	5750	47.3	1.34	77.47	3.05	61
TRB9733B12SH	◎	12(7.0~13.8)	3.4	40.8	6850	56.8	1.61	130.49	5.14	66
TRB9733B12XH	◎	12(10.8~13.2)	6.2	74.4	8200	65.3	1.85	198.77	7.83	69
TRB9733B24L	◎	24(21.8~26.4)	0.5	10.8	4500	36.7	1.04	41.79	1.65	56
TRB9733B24M	◎	24(21.8~26.4)	0.6	13.2	4850	39.2	1.11	49.95	1.97	57
TRB9733B24H	◎	24(21.8~26.4)	0.7	16.8	5250	43.1	1.22	62.18	2.45	59
TRB9733B24VH	◎	24(21.8~26.4)	0.8	19.9	5750	47.3	1.34	77.47	3.05	61
TRB9733B24SH	◎	24(21.8~26.4)	1.6	38.9	6850	56.8	1.61	130.49	5.14	66
TRB9733B24XH	◎	24(21.6~26.4)	3.1	74.4	8200	65.3	1.85	198.77	7.83	69

⊗ Bearing System ※ : Sleeve ★ : WRB Bearing ◎ : Ball

★如果您需要的轉速或電壓或功能不在這份清單上，請與我們業務聯繫 Please contact us, if the SPEC you need is not in the list.