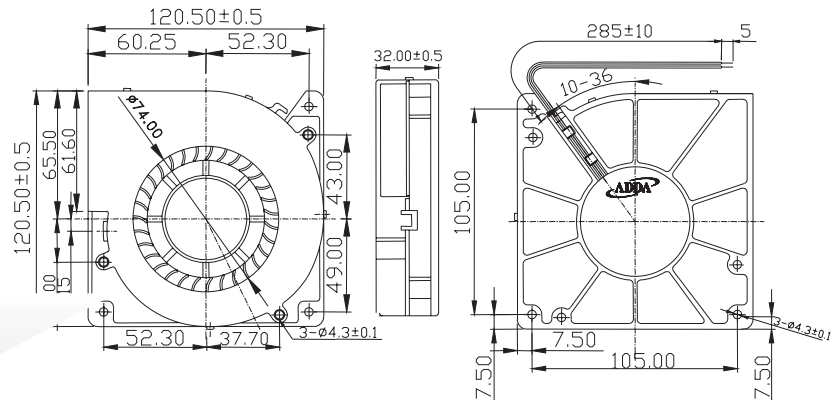




AB12032 SERIES

External Dimensions



Frame: Plastic (UL:94V-0)
 Impeller: Plastic (UL:94V-0)
 Bearing: Ball, Sleeve, Hypro bearing
 Lead wire: UL 1007 AWG24
 VOLTAGE AVAILABLE: 12V, 24V, 48V

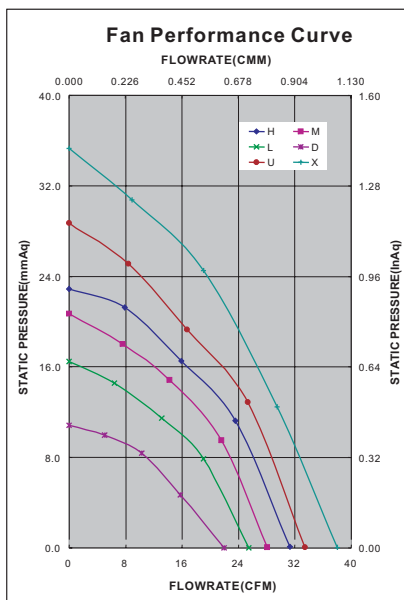
Specifications (Nominal)

*Noise is measured at the distance of one (1) meter from the axis of intake.

Bearing type: ⊙=Ball ⊛=Sleeve ○=1B1S ●=Hypro bearing

Frame size (mm)	Model No.	Bearing System Type	Rated Voltage (VDC)	Rated Current (A)	Actual Current (A)	Rated Power (W)	Actual Power (W)	Rated Speed (rpm)	Maximum AirFlow (CMM)	Maximum AirFlow (CFM)	Maximum Pressure (InAq)	Maximum Pressure (mmAq)	*Noise Level (dB/A)	Weight (g)
120x120x32	AB1212DB-Y01	⊙ ⊛ ●	12	0.30	0.26	3.60	3.12	1800	0.619	21.97	0.434	11.02	46.6	276.0
	AB1212LB-Y01	⊙ ⊛ ●	12	0.45	0.41	6.48	4.92	2100	0.718	25.48	0.659	16.73	48.0	
	AB1212MB-Y01	⊙ ⊛ ●	12	0.56	0.53	6.72	6.36	2300	0.791	28.09	0.829	21.05	49.0	
	AB1212HB-Y01	⊙ ⊛ ●	12	0.89	0.79	10.68	9.48	2600	0.881	31.28	0.916	23.26	55.0	
	AB1212UB-Y01	⊙ ⊛ ●	12	1.10	0.94	13.20	11.28	2800	0.940	33.40	1.209	30.70	53.3	
	AB1212XB-Y01	⊙	12	1.40	1.12	16.80	13.44	3100	1.070	38.00	1.412	35.86	57.0	
	AB1224DB-Y01	⊙ ⊛ ●	24	0.20	0.19	4.80	4.80	1800	0.619	21.97	0.434	11.02	46.6	
	AB1224LB-Y01	⊙ ⊛ ●	24	0.30	0.25	7.20	6.00	2100	0.718	25.48	0.659	16.73	48.0	
	AB1224MB-Y01	⊙ ⊛ ●	24	0.39	0.36	9.36	8.64	2300	0.791	28.09	0.829	21.05	49.0	
	AB1224HB-Y01	⊙ ⊛ ●	24	0.49	0.43	11.76	10.32	2600	0.881	31.28	0.916	23.26	55.0	
	AB1224UB-Y01	⊙ ⊛ ●	24	0.55	0.50	13.20	12.00	2800	0.940	33.40	1.209	30.70	53.3	
	AB1224XB-Y01	⊙	24	0.71	0.68	17.04	16.32	3100	1.070	38.00	1.412	35.86	57.0	
	AB1248DB-Y01	⊙ ⊛ ●	48	0.12	0.09	5.76	4.32	1800	0.619	21.97	0.434	16.73	46.6	
	AB1248LB-Y01	⊙ ⊛ ●	48	0.17	0.16	8.16	7.68	2100	0.718	25.48	0.659	21.05	48.0	
	AB1248MB-Y01	⊙ ⊛ ●	48	0.20	0.18	9.60	8.64	2300	0.791	28.09	0.829	23.26	49.0	
	AB1248HB-Y01	⊙ ⊛ ●	48	0.24	0.22	11.52	10.56	2600	0.881	31.28	0.916	30.70	55.0	
AB1248UB-Y01	⊙ ⊛ ●	48	0.34	0.29	16.32	13.92	2800	0.940	33.40	1.209	35.86	53.3		

Specifications subject to change without notice.



*Motor protective circuit and third lead wire functions

0	1	2	3	4	6	7	8	9	A	B
	✓	✓	✓							

*Safety approvals

✓	✓		✓	✓